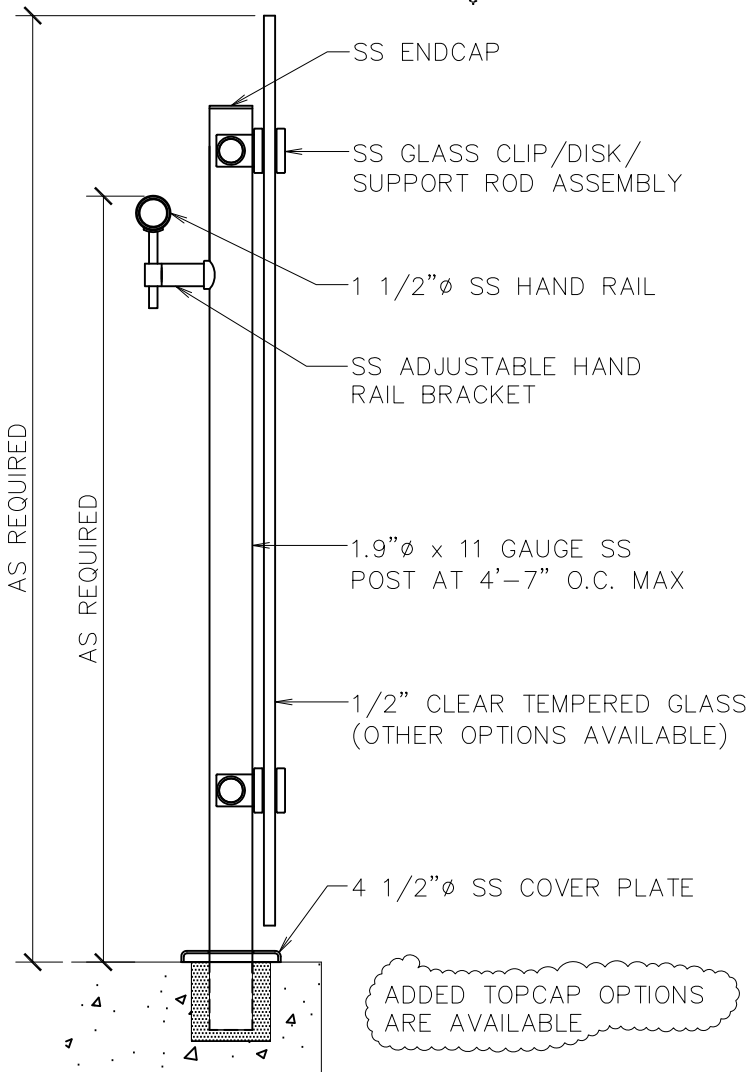


Vista™

Vista by Architectural Railings & Grilles
 (704) 365-5152



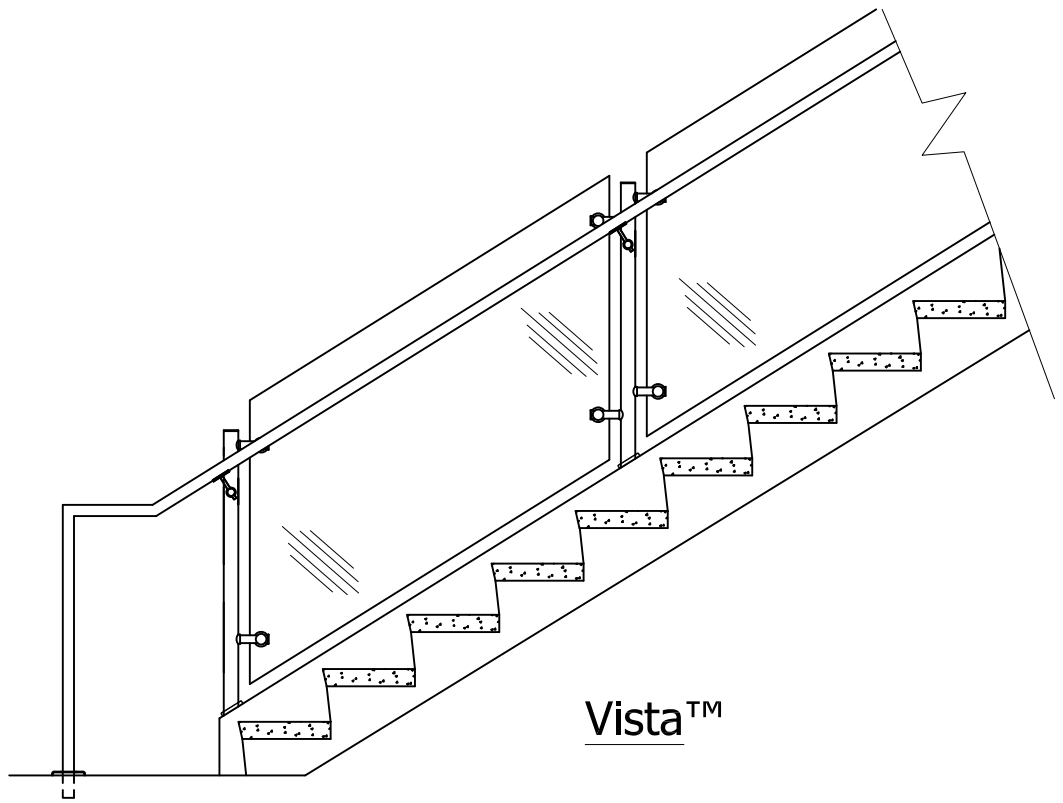
RAIL DESIGN: Vista



Architectural
 Railings & Grilles
 Fort Mill, SC
 (704)-365-5152

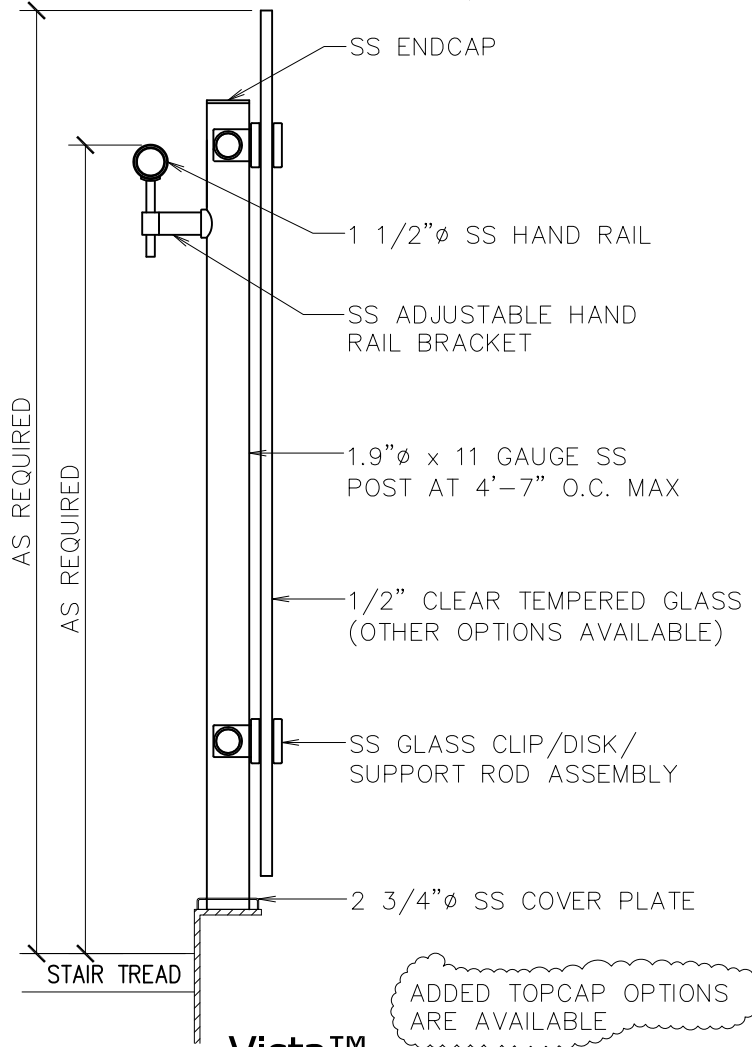
Please visit our
 website for
 available options
 and materials.
www.stainless-railing.com

Vista™



Vista™

Vista by Architectural Railings & Grilles
(704) 365-5152



RAIL DESIGN: Vista

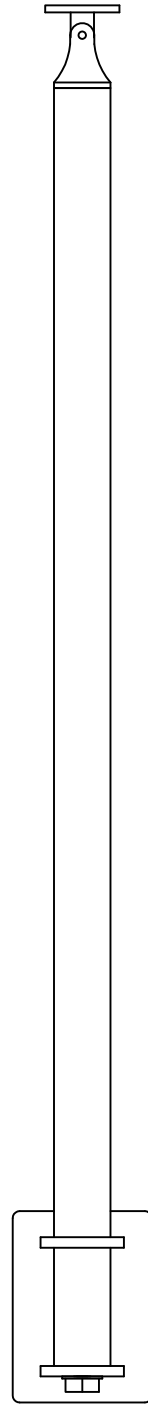
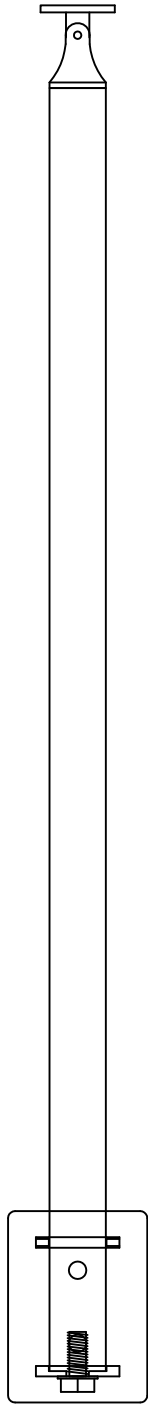


Architectural
Railings & Grilles
Fort Mill, SC
(704)-365-5152

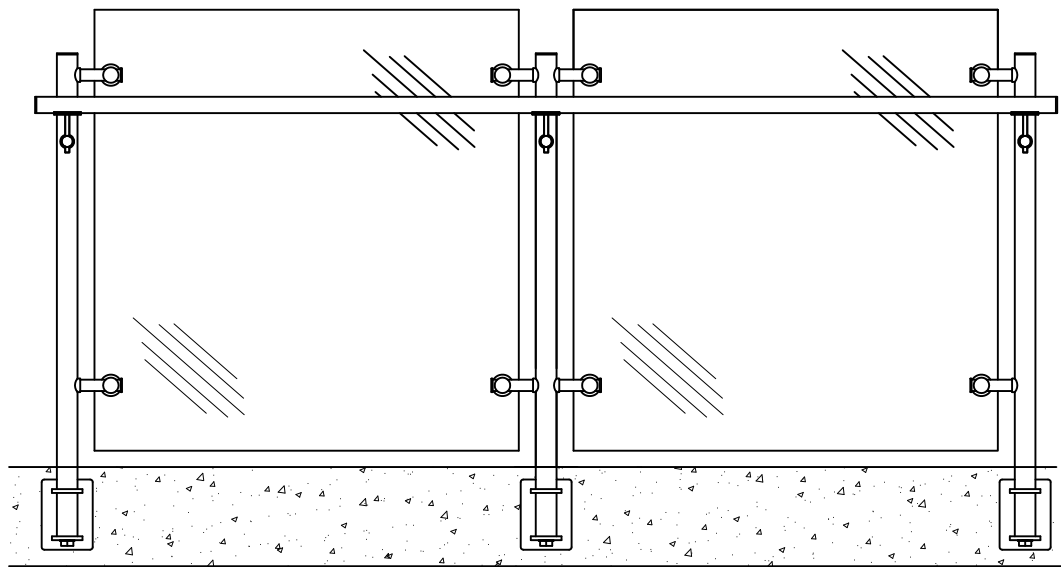
Please visit our
website for
available options
and materials.
www.stainless-railing.com

ADDED TOPCAP OPTIONS
ARE AVAILABLE

Vista™

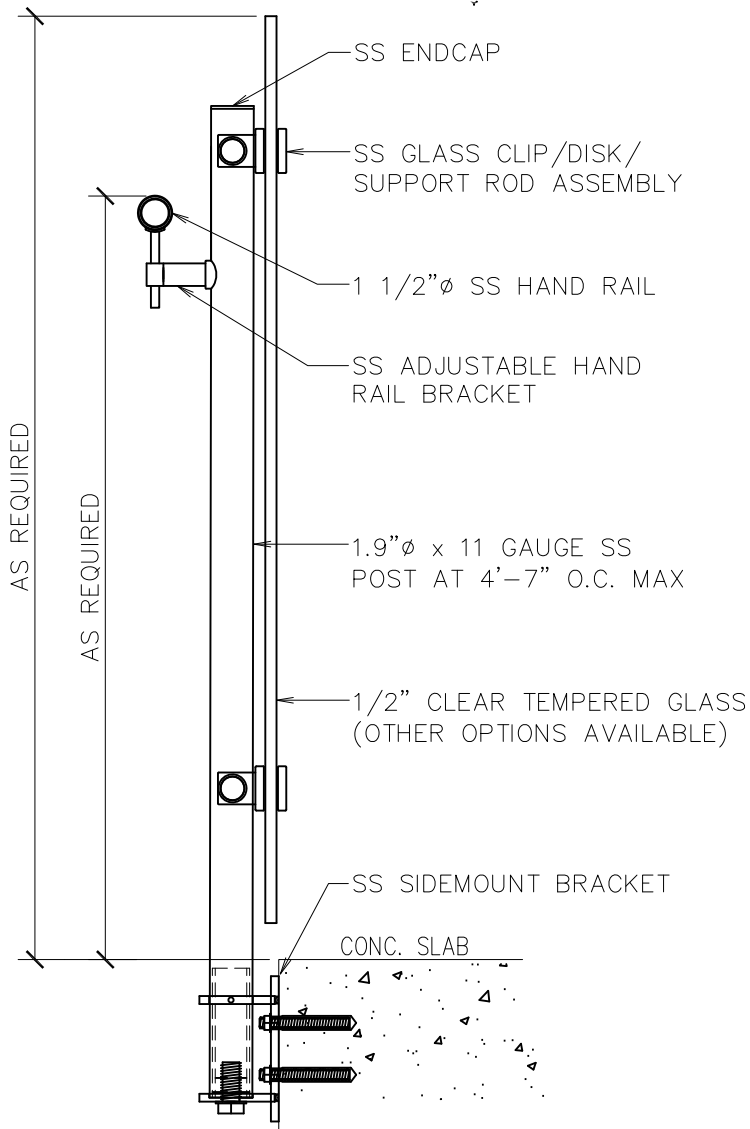


SIDE MOUNT
BRACKET ELEVATION



Vista™

Vista by Architectural Railings & Grilles
 (704) 365-5152

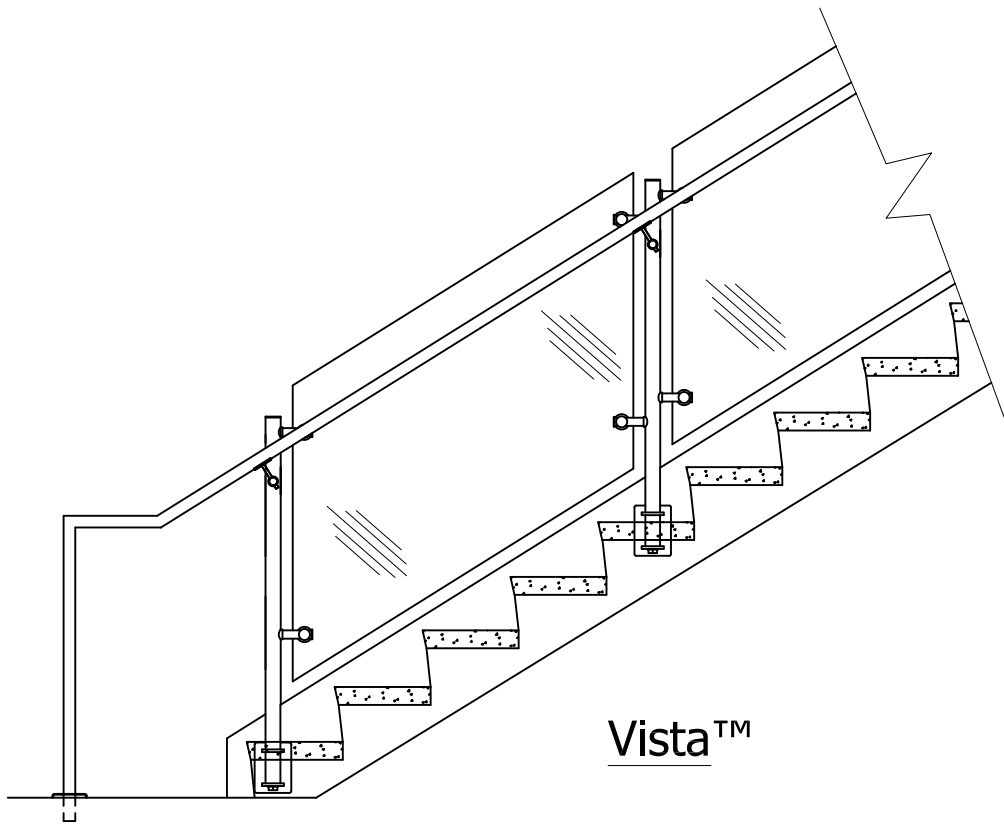


RAIL DESIGN: Vista



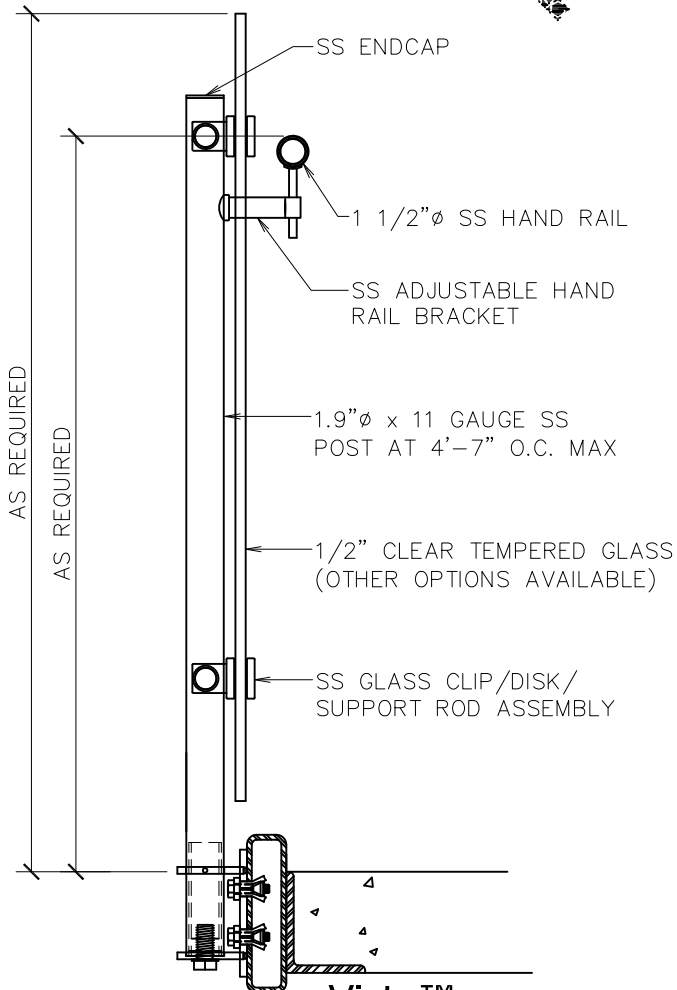
Architectural
 Railings & Grilles
 Fort Mill, SC
 (704)-365-5152

Please visit our
 website for
 available options
 and materials.
www.stainless-railing.com



Vista™

Vista by Architectural Railings & Grilles
(704) 365-5152



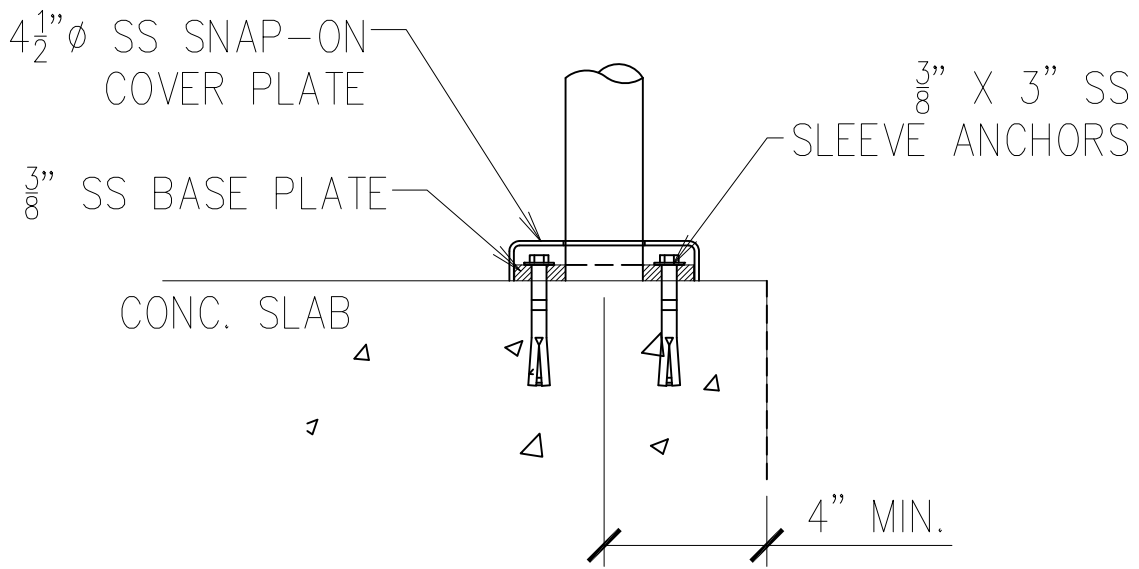
Vista™

RAIL DESIGN: Vista

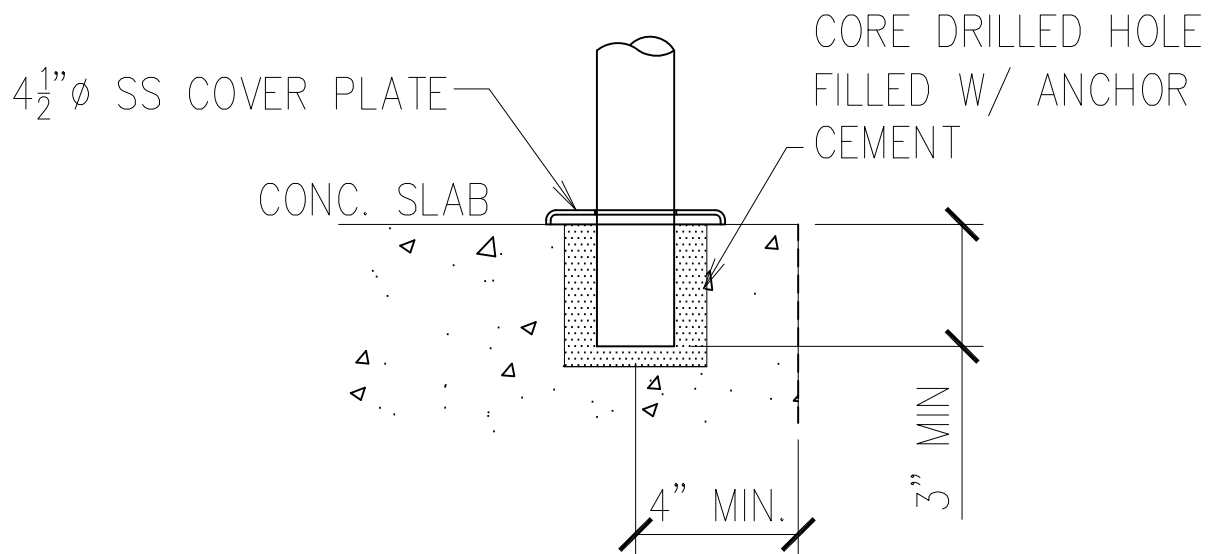


Architectural
Railings & Grilles
Fort Mill, SC
(704)-365-5152

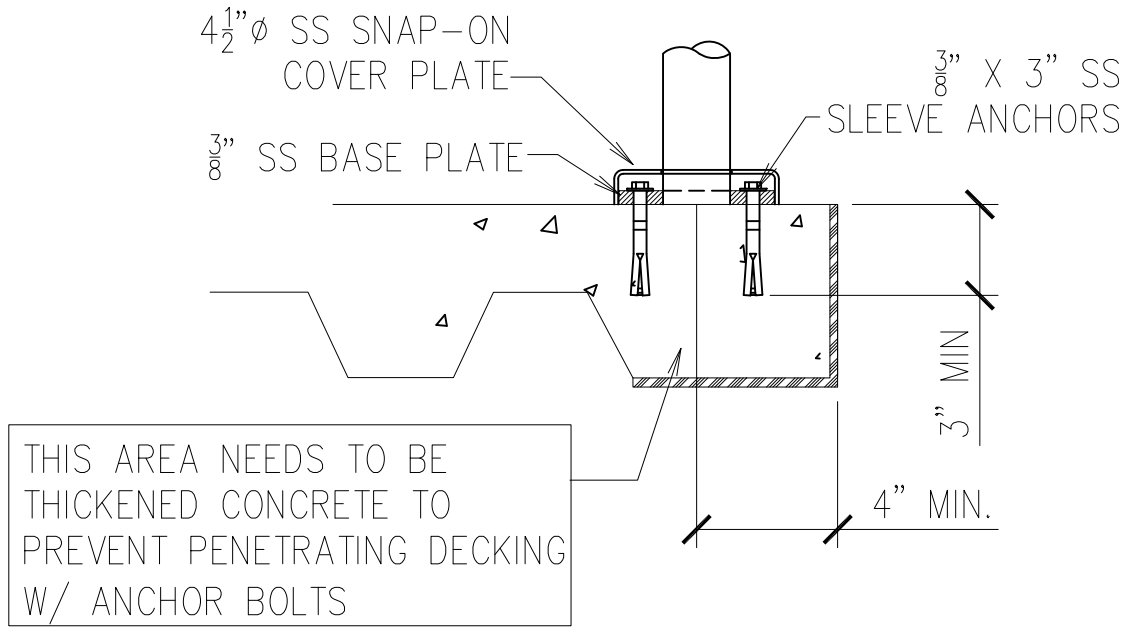
Please visit our
website for
available options
and materials.
www.stainless-railing.com



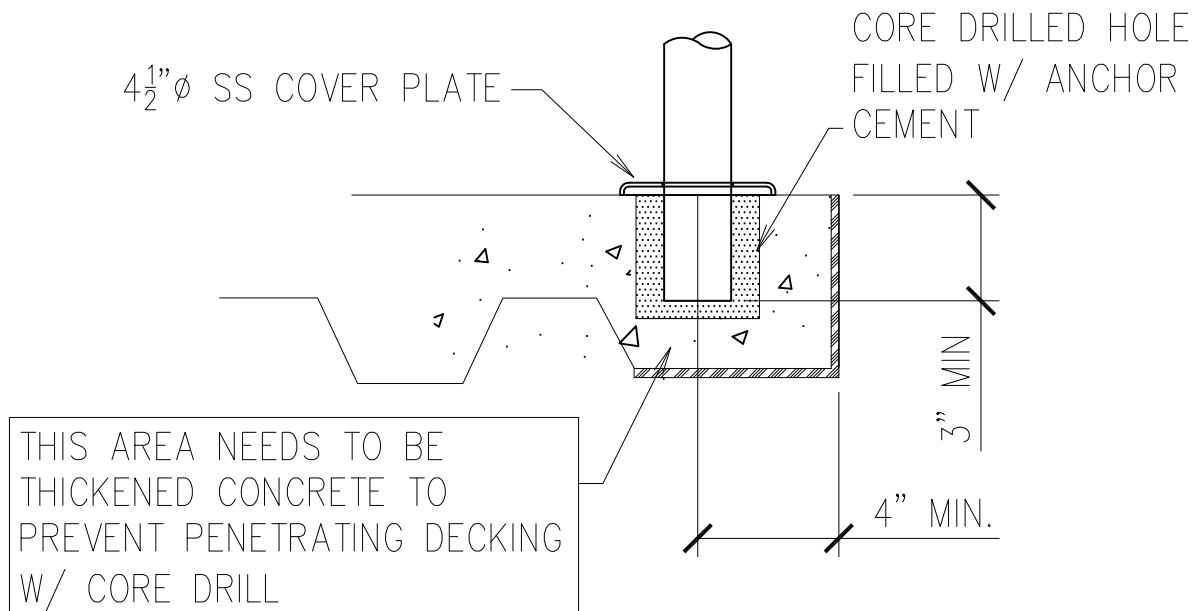
BASE PLATE MOUNTING



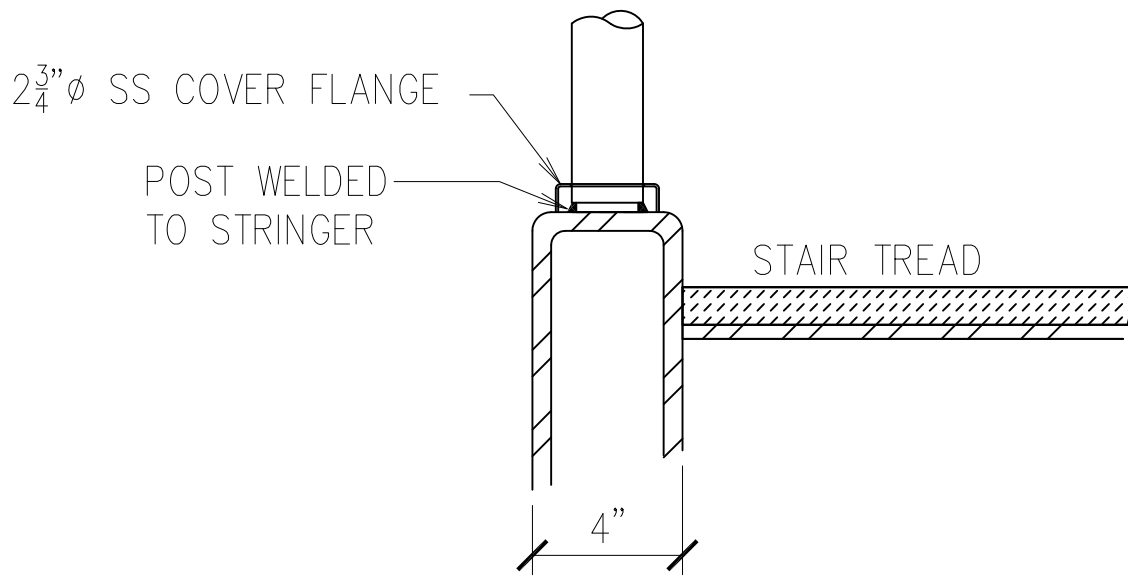
CORE DRILL MOUNTING



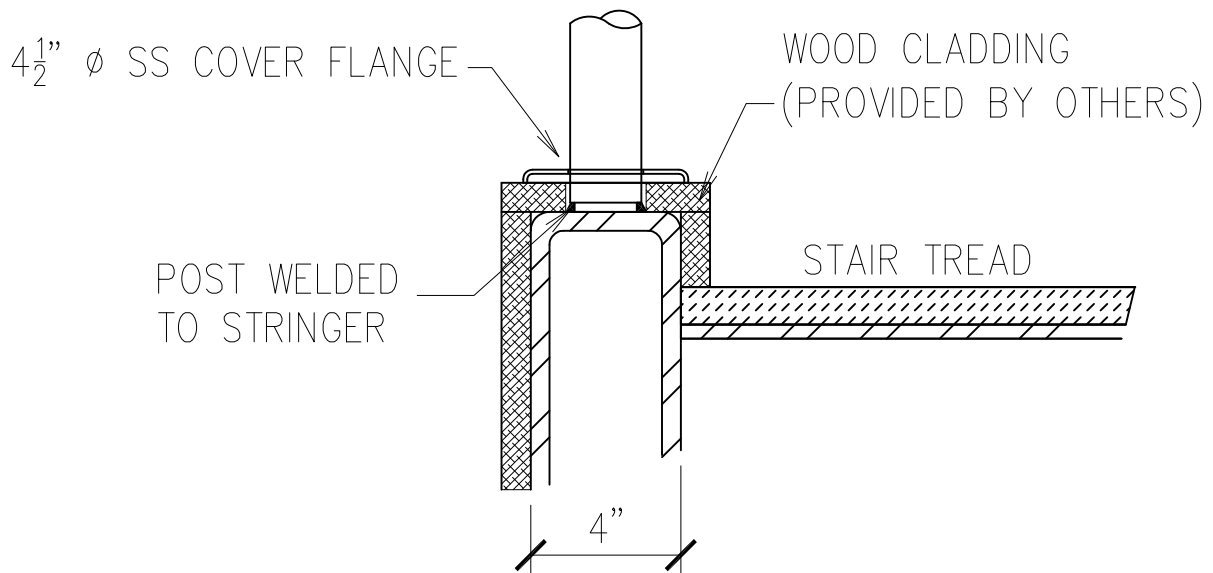
CORE DRILL MOUNTING
OVER CORRUGATED DECKING



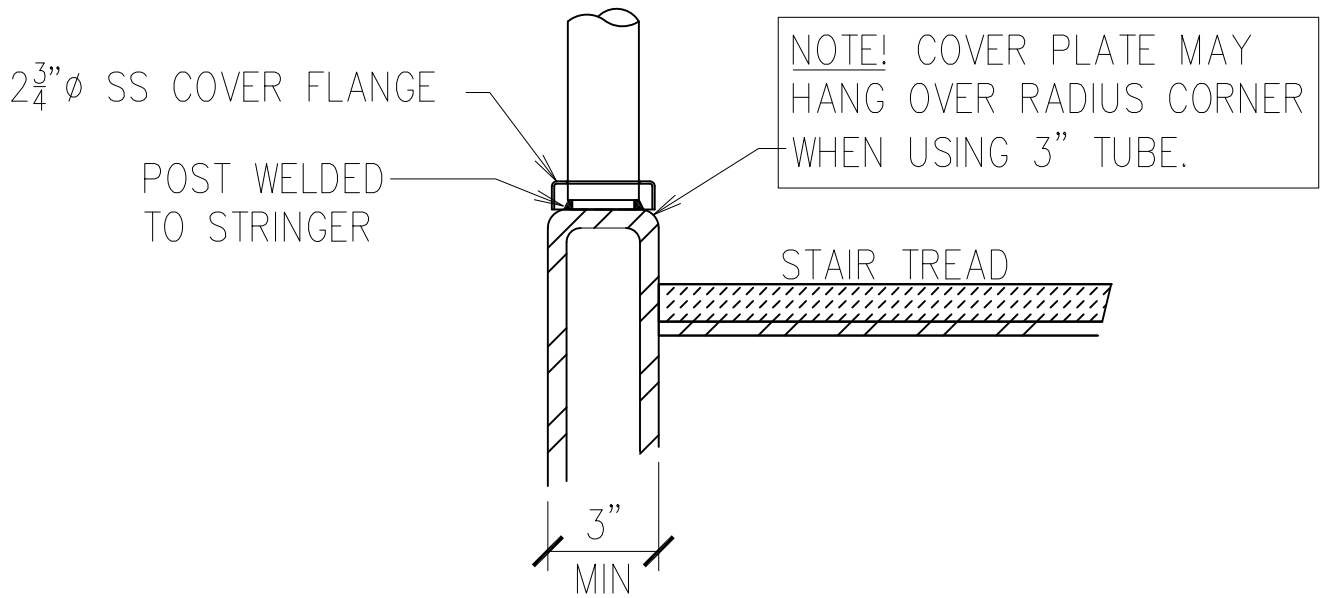
CORE DRILL MOUNTING
OVER CORRUGATED DECKING



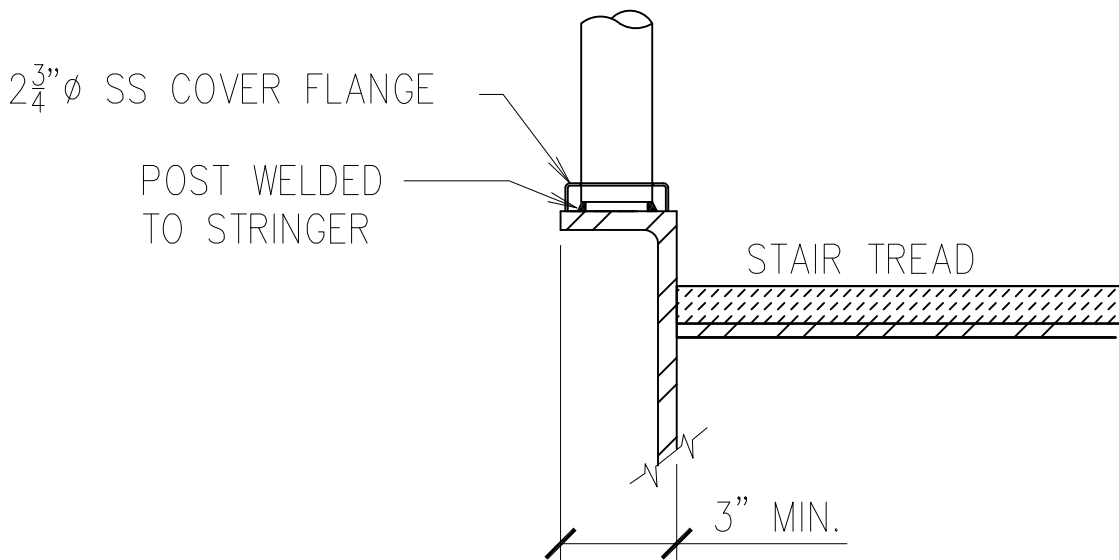
WELDED STAIR MOUNTING
(4" TUBE STRINGER)



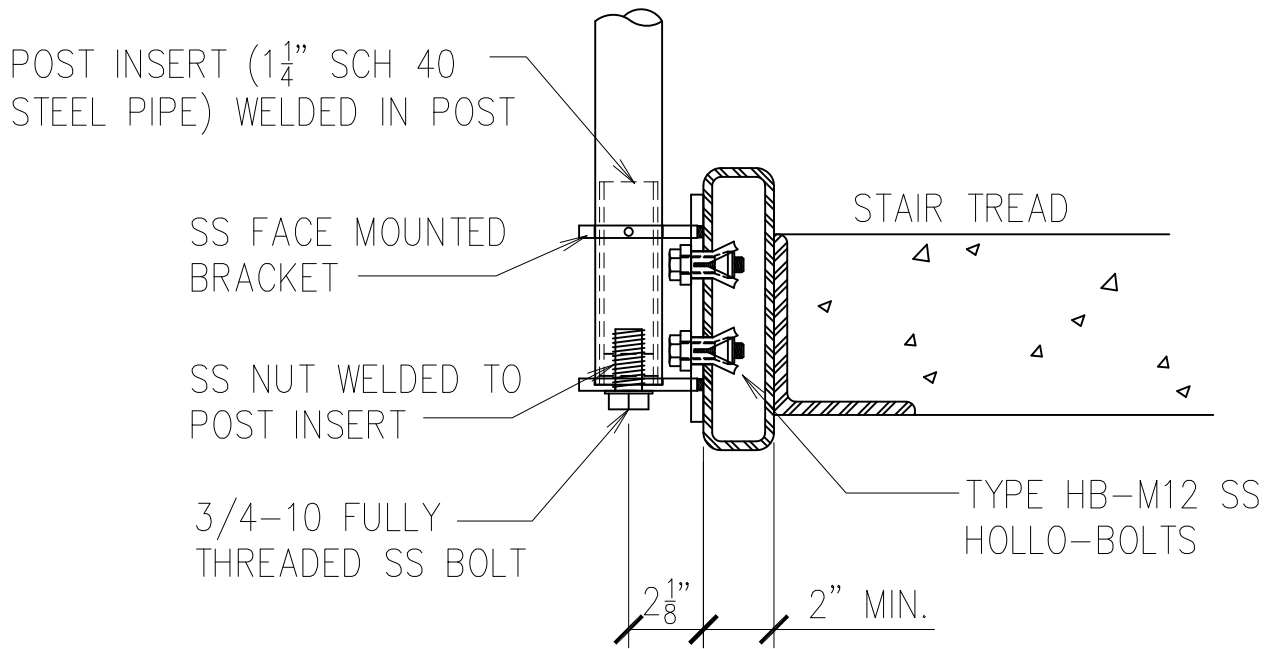
WELDED STAIR MOUNTING
W/ WOOD CLADDING



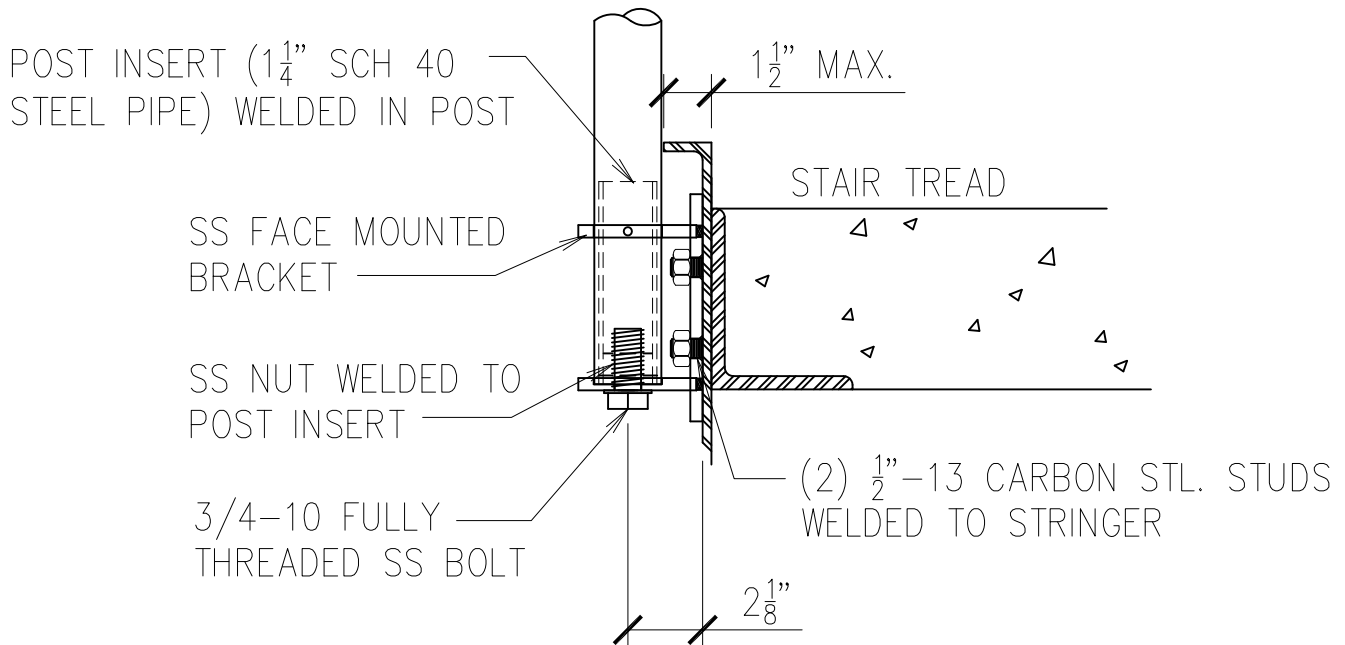
WELDED STAIR MOUNTING
(3" TUBE STRINGER)



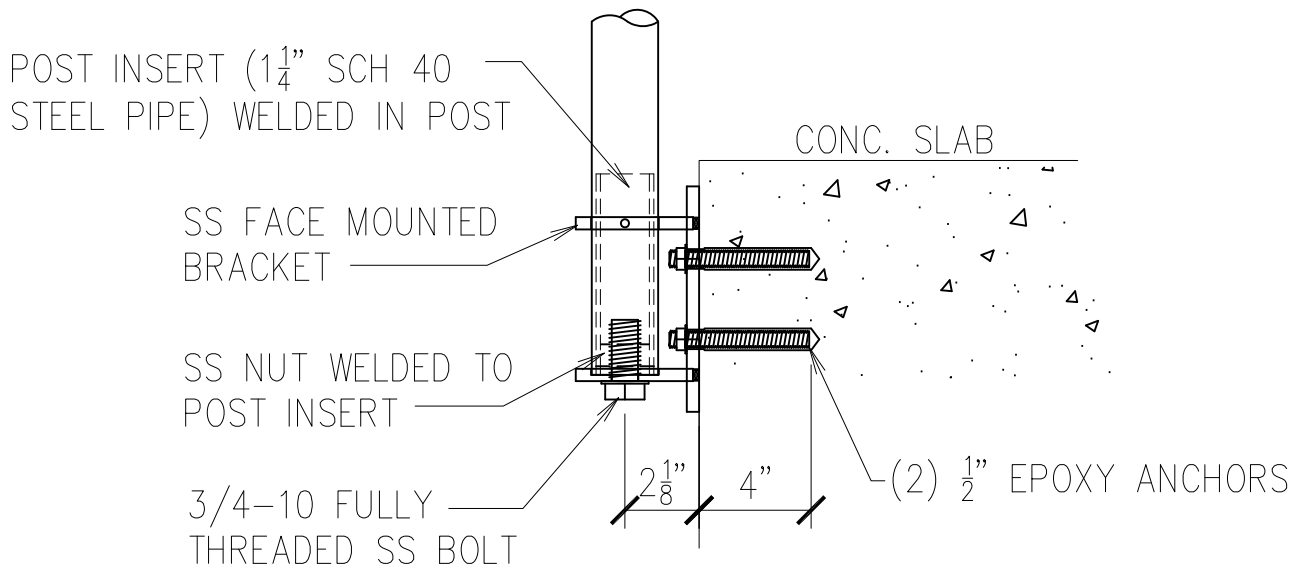
WELDED STAIR MOUNTING
(CHANNEL STRINGER)



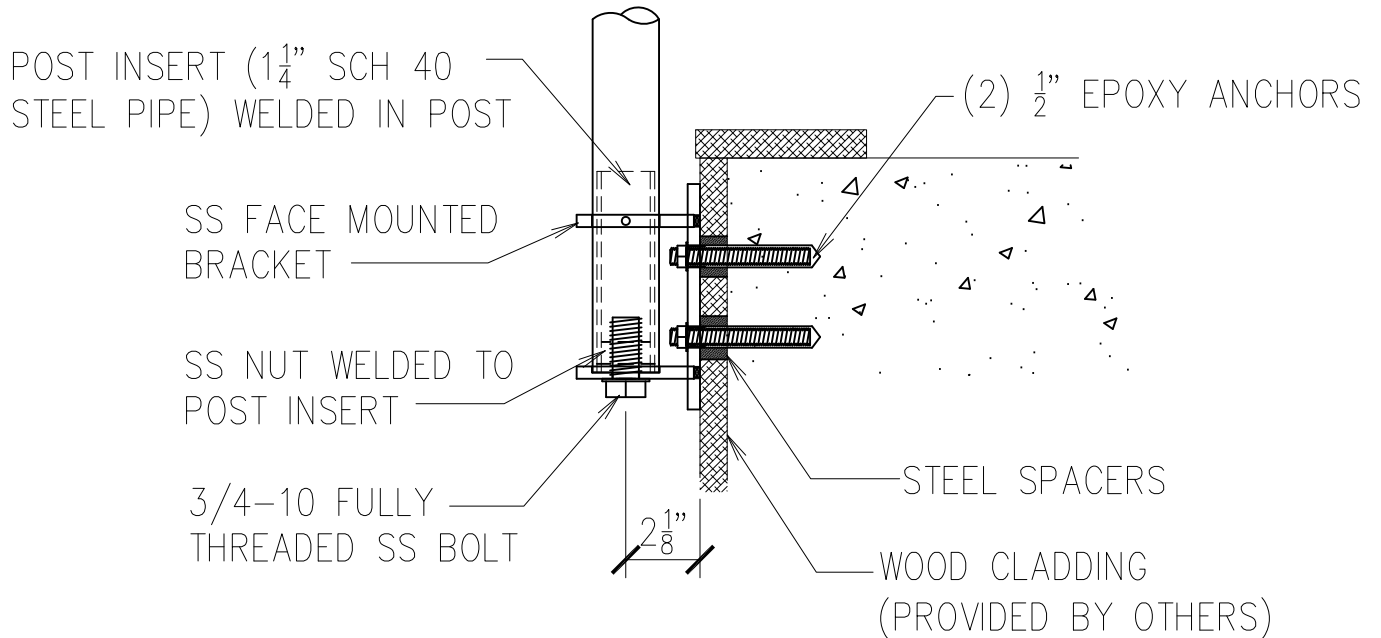
SIDE MOUNTED STAIR MOUNTING
(TUBE STRINGER)



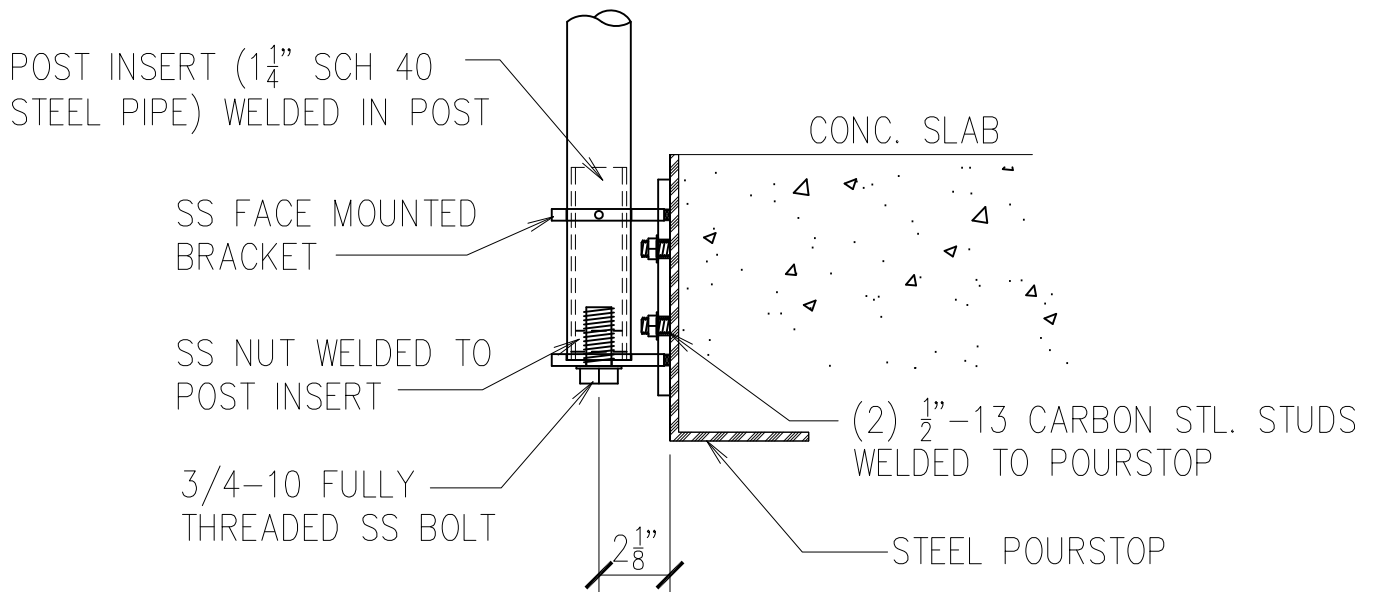
SIDE MOUNTED STAIR MOUNTING
(CHANNEL STRINGER)



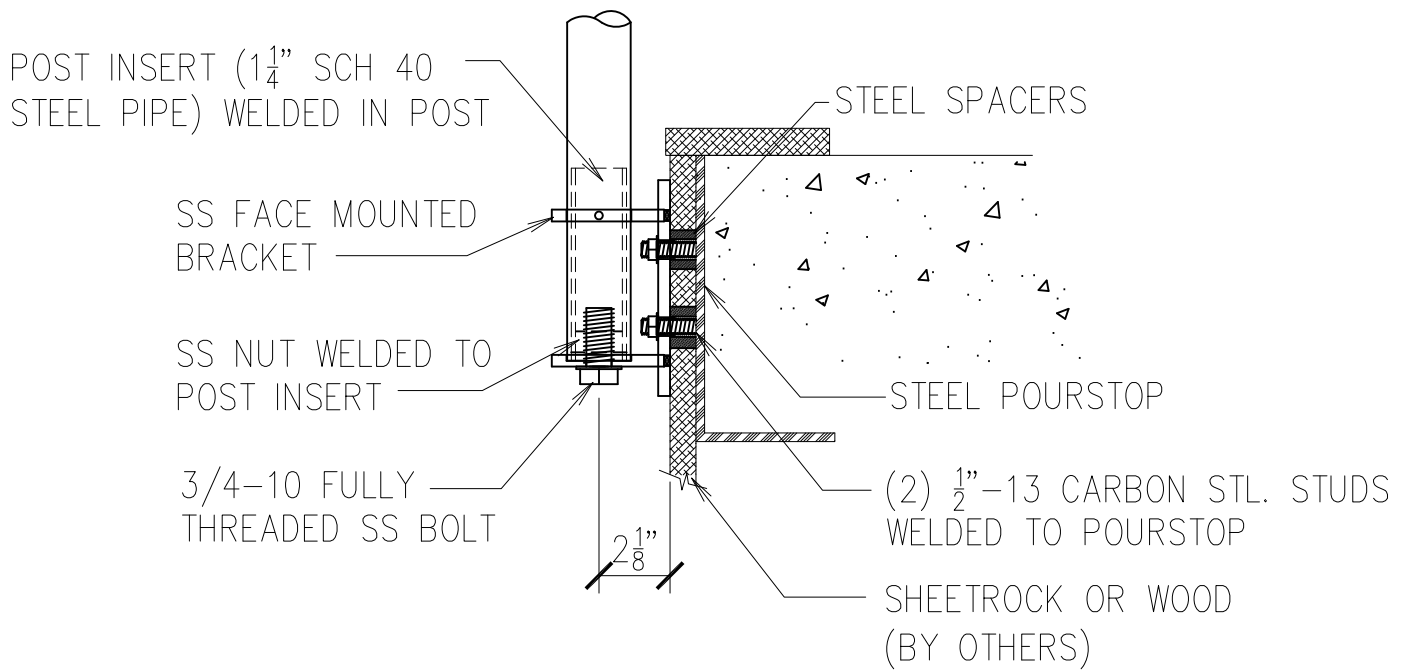
SIDE MOUNTING TO CONCRETE SLAB



SIDE MOUNTING TO CONCRETE SLAB OVER WOOD FACIA OR SHEETROCK



SIDE MOUNT ATTACHED TO POURSTOP



SIDE MOUNT ATTACHED TO POURSTOP OVER WOOD FASCIA OR SHEETROCK