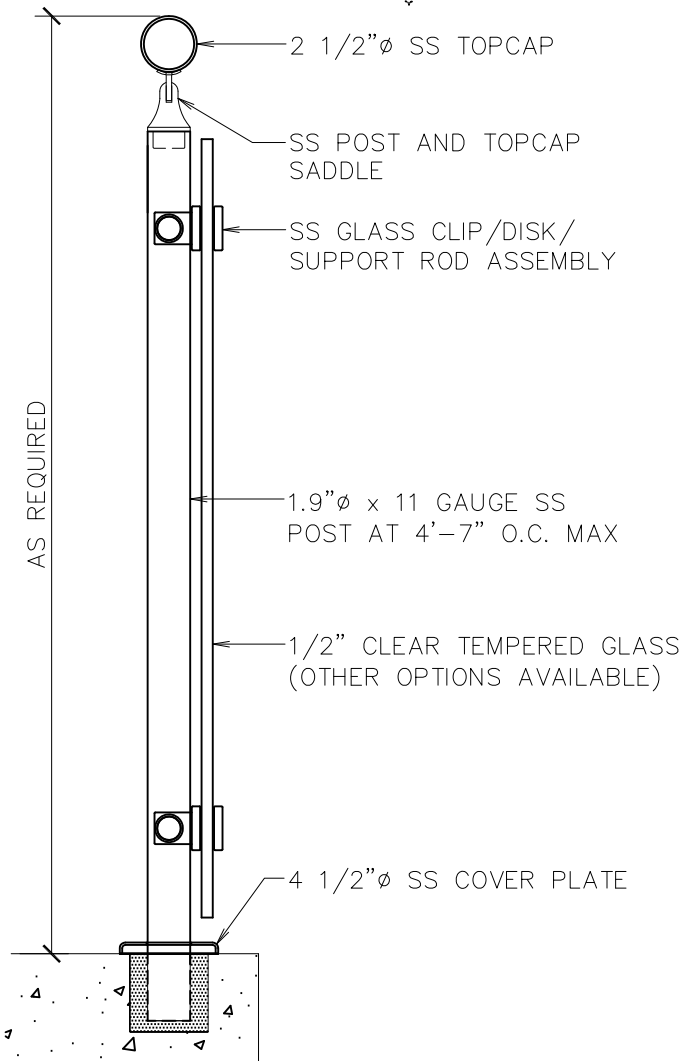


Southpark™

Southpark by Architectural Railings & Grilles
(704) 365-5152



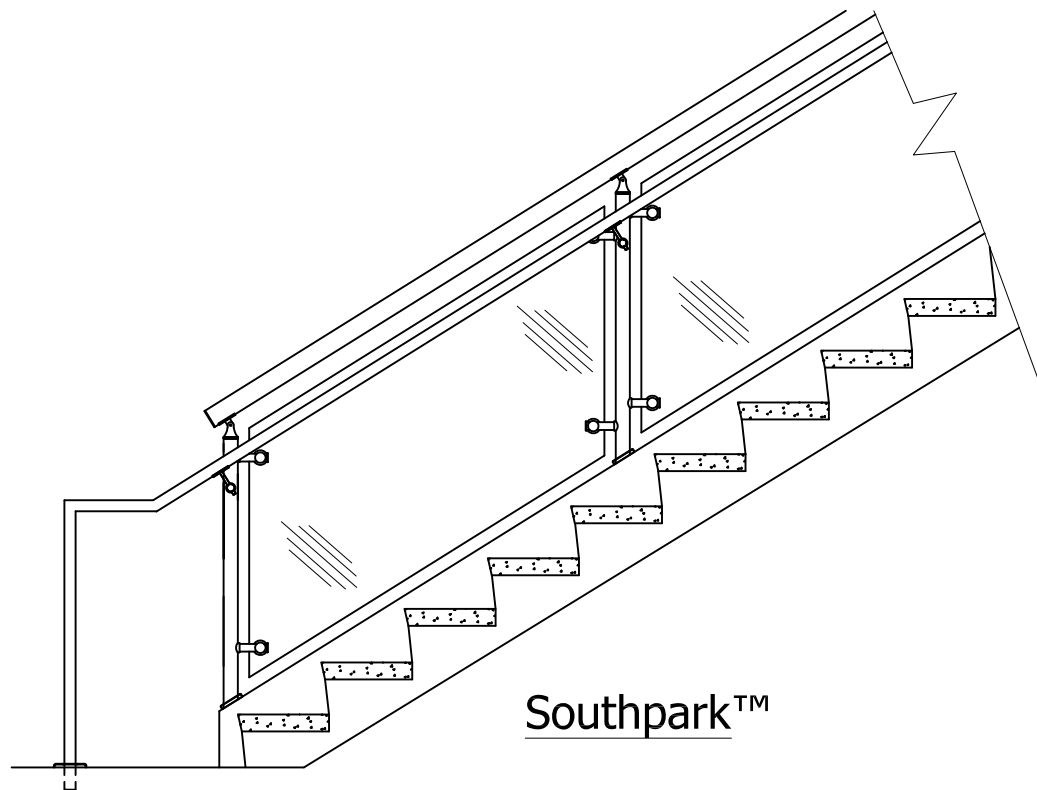
RAIL DESIGN: Southpark



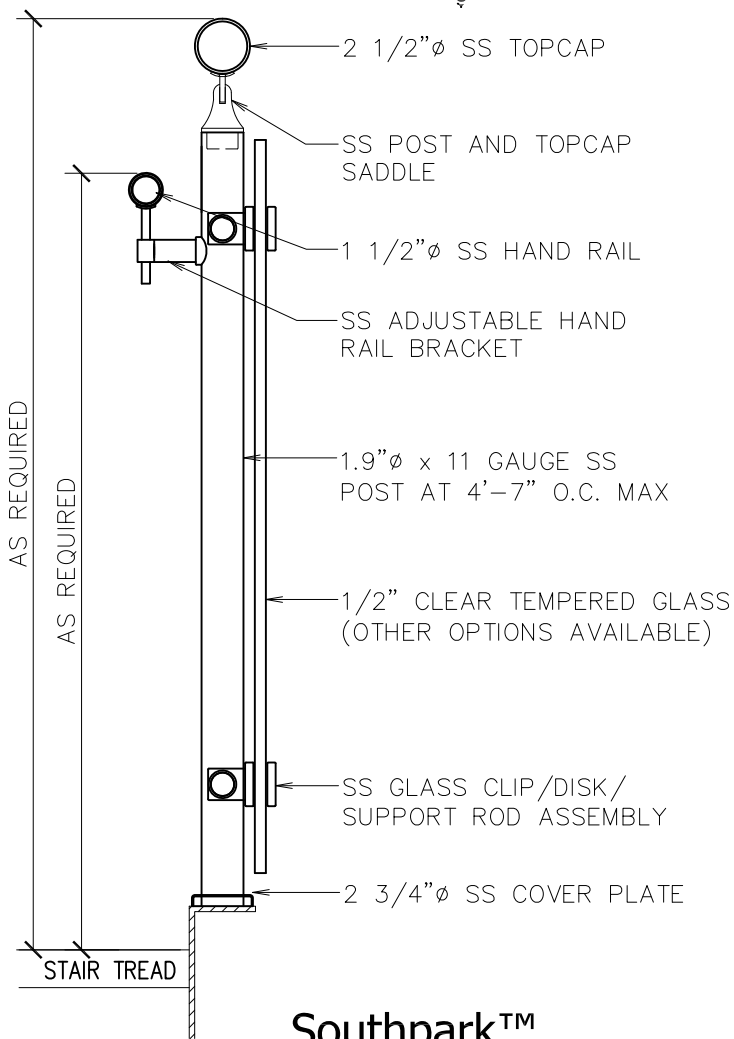
Architectural
Railings & Grilles
Fort Mill, SC
(704)-365-5152

Please visit our
website for
available options
and materials.
www.stainless-railing.com

Southpark™



Southpark by Architectural Railings & Grilles
 (704) 365-5152



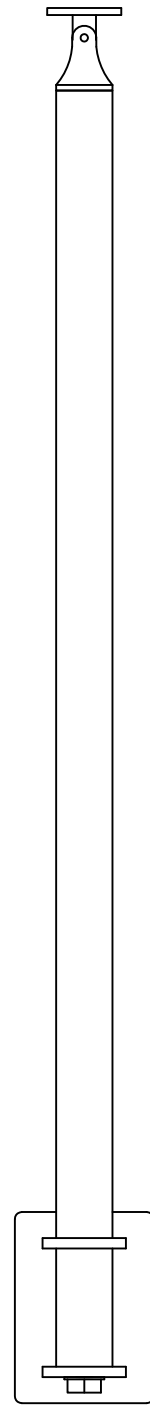
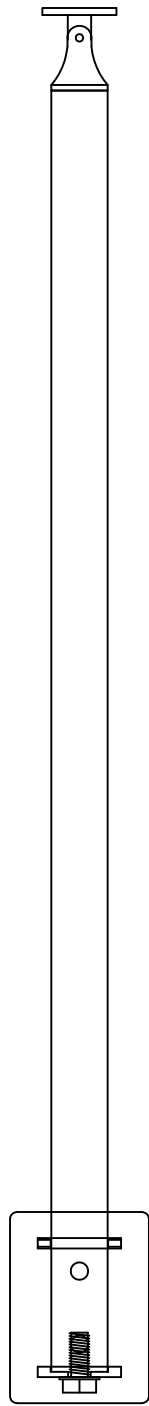
RAIL DESIGN: Southpark



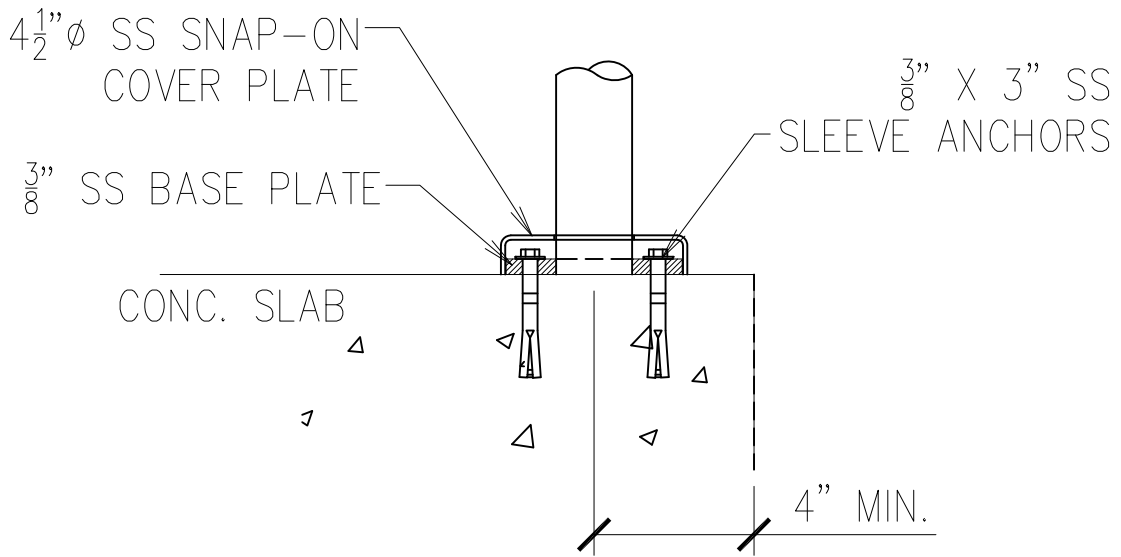
Architectural
 Railings & Grilles
 Fort Mill, SC
 (704)-365-5152

Please visit our
 website for
 available options
 and materials.
www.stainless-railing.com

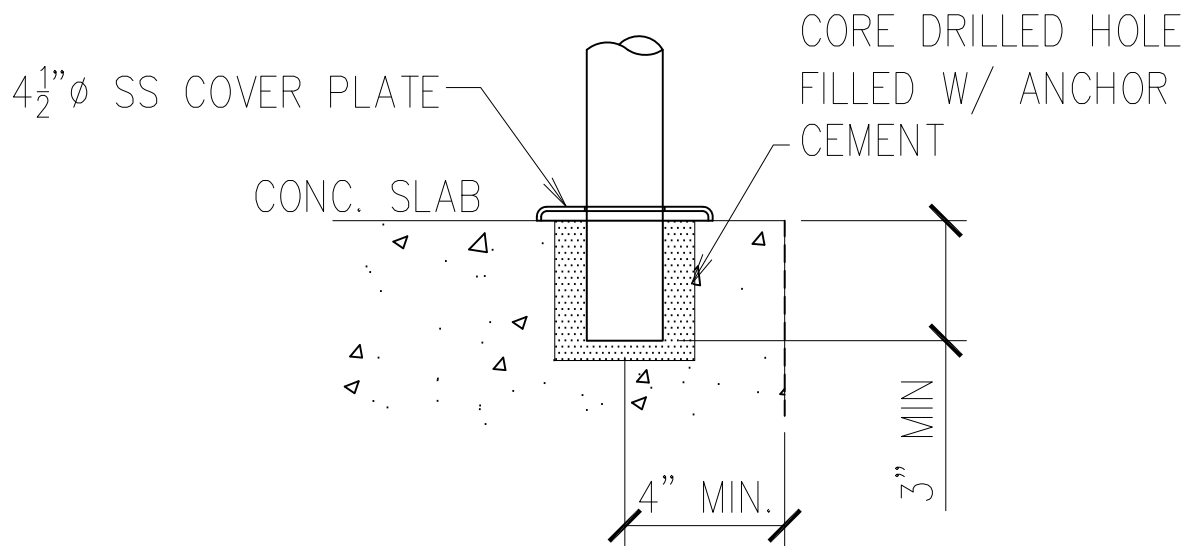
Southpark™



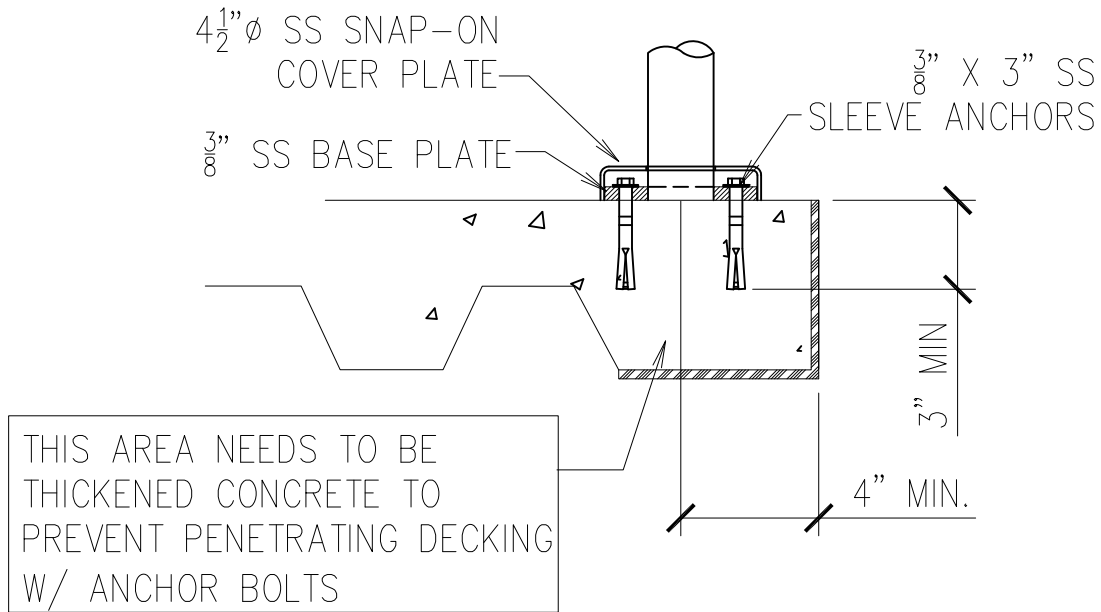
SIDE MOUNT
BRACKET ELEVATION



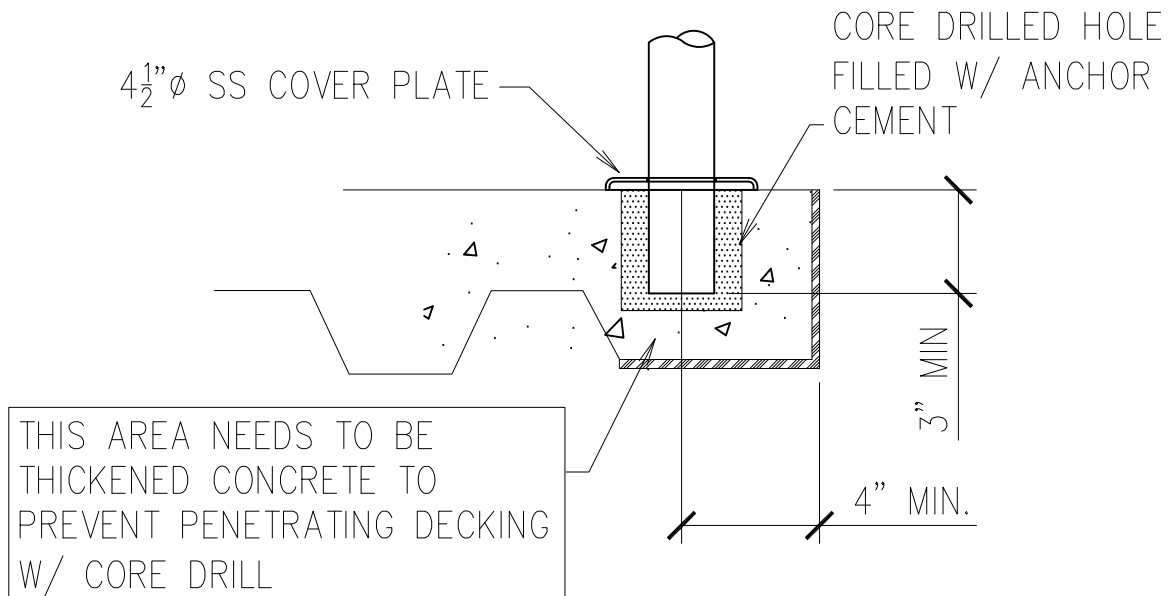
BASE PLATE MOUNTING



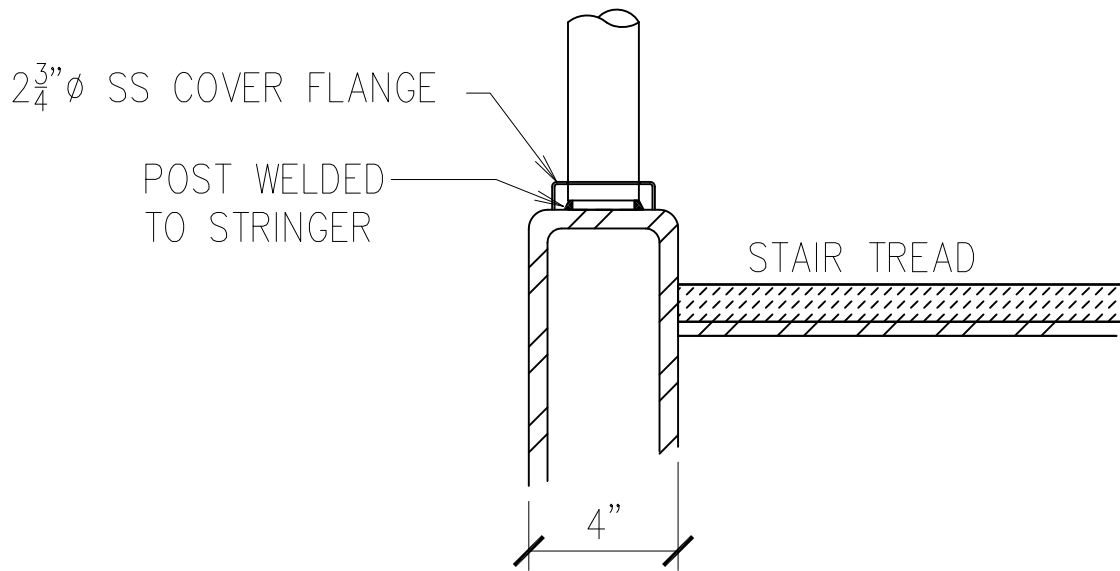
CORE DRILL MOUNTING



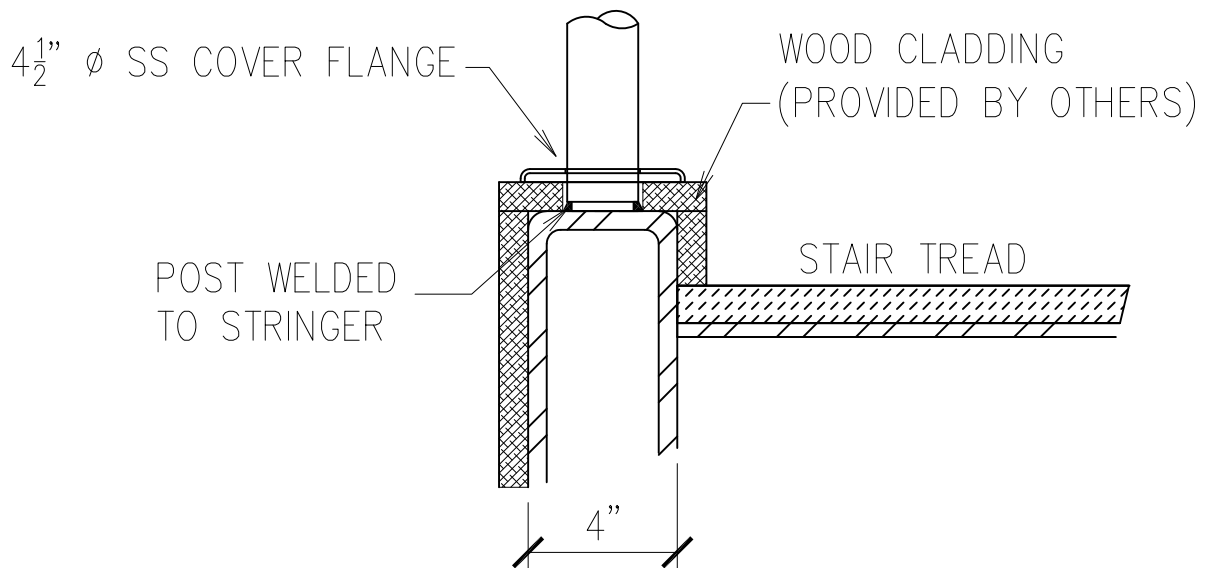
CORE DRILL MOUNTING
OVER CORRUGATED DECKING



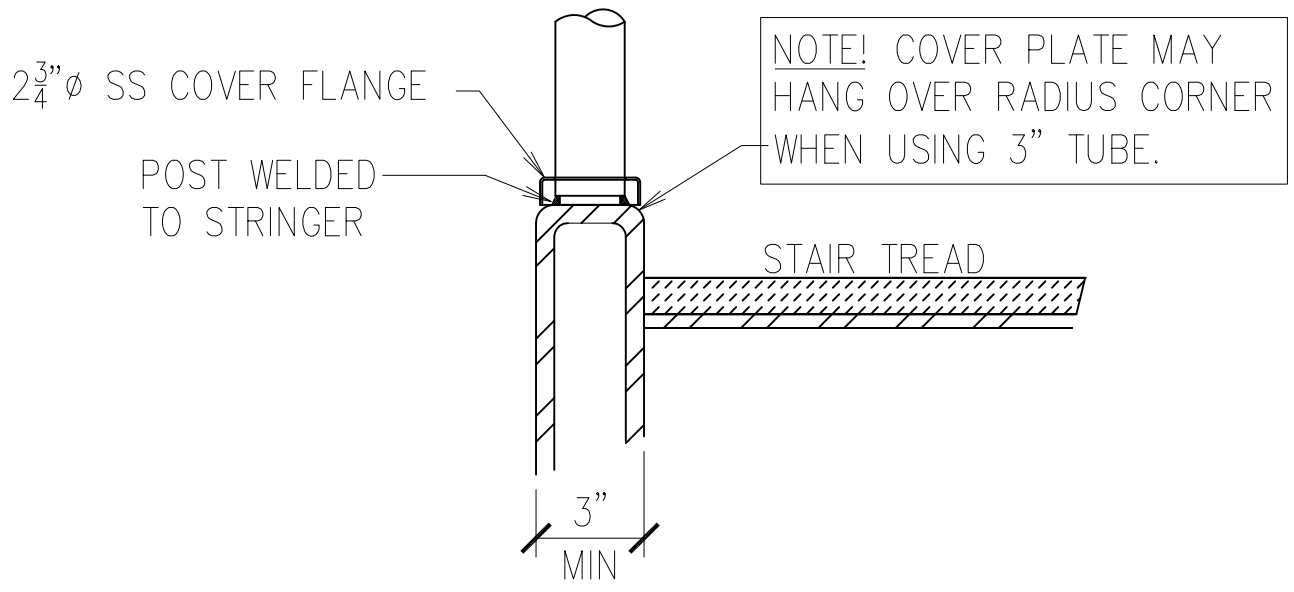
CORE DRILL MOUNTING
OVER CORRUGATED DECKING



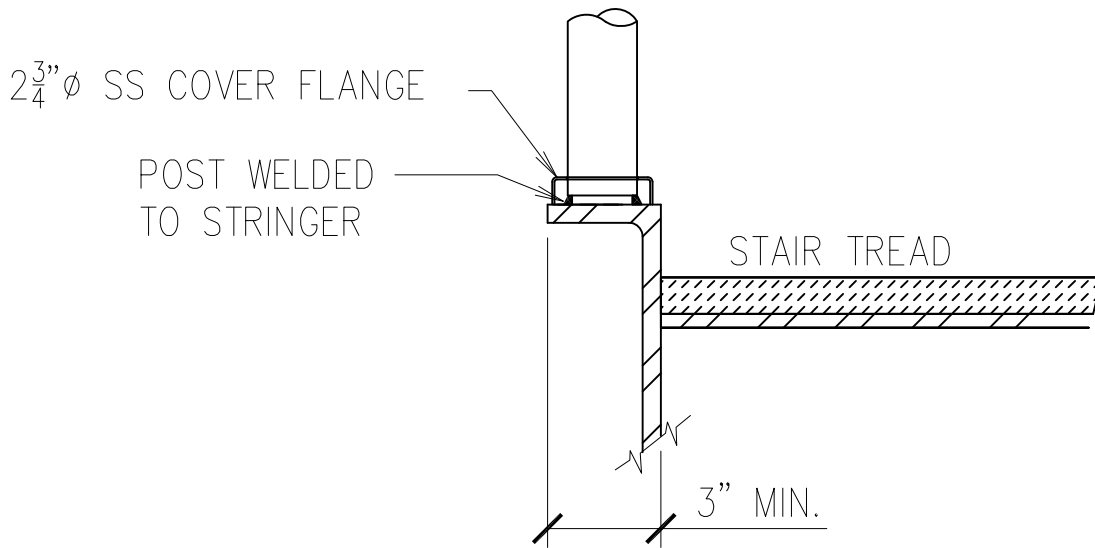
WELDED STAIR MOUNTING
(4" TUBE STRINGER)



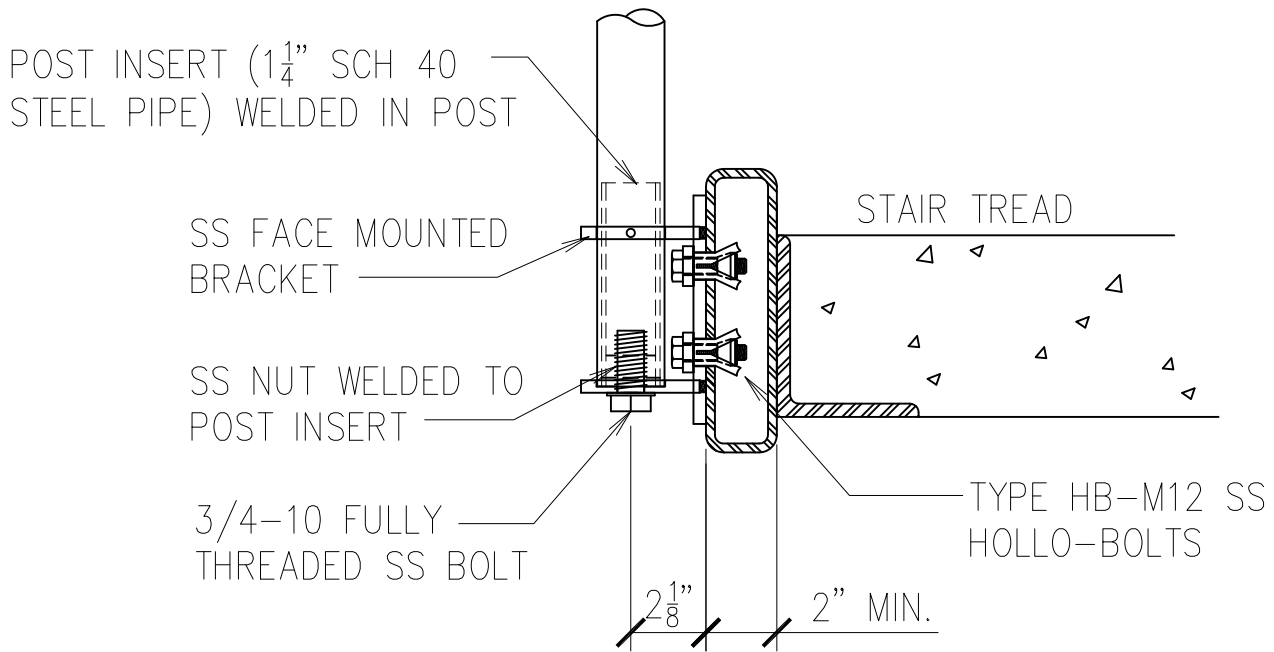
WELDED STAIR MOUNTING
W/ WOOD CLADDING



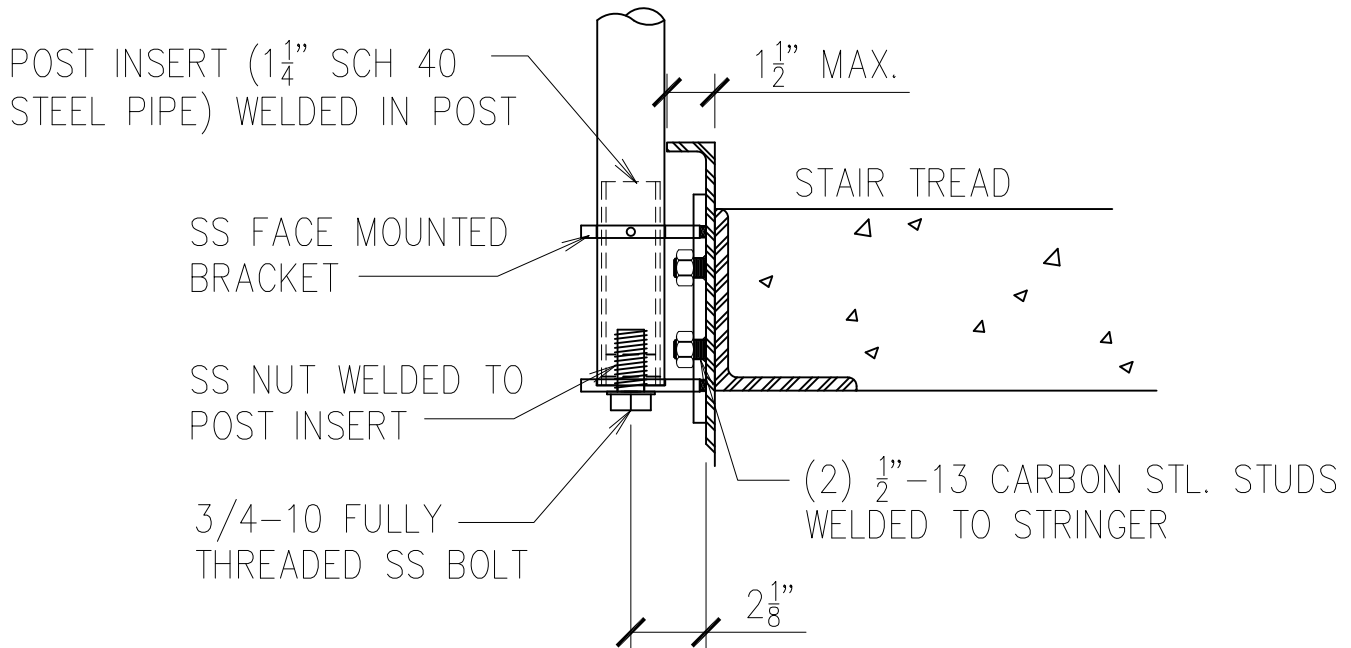
WELDED STAIR MOUNTING
(3" TUBE STRINGER)



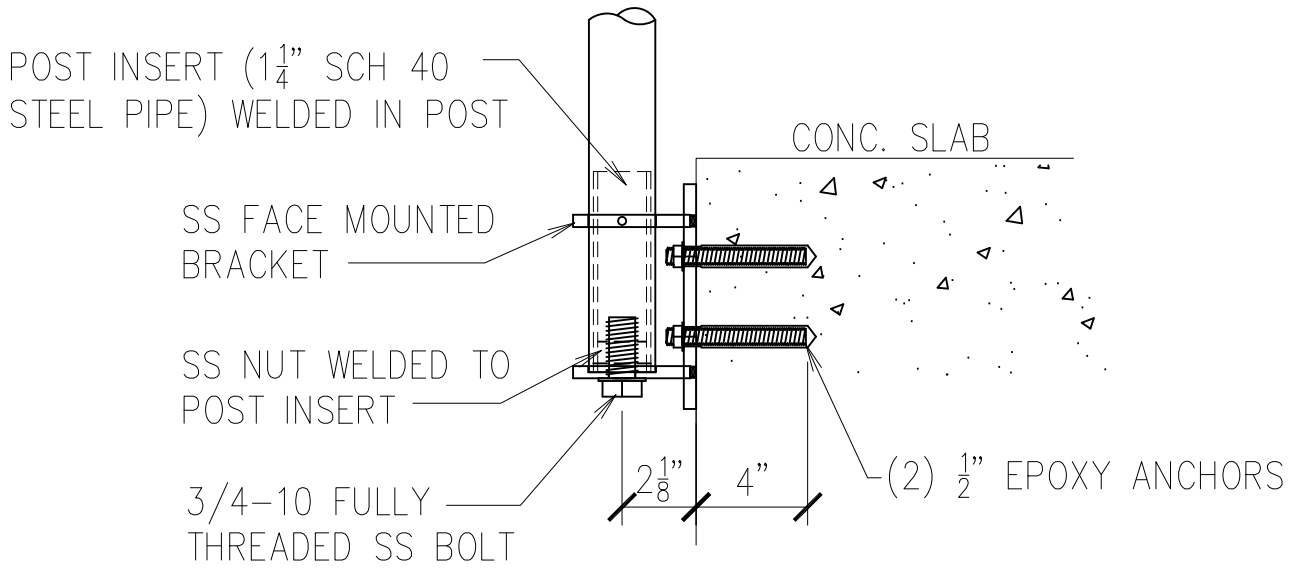
WELDED STAIR MOUNTING
(CHANNEL STRINGER)



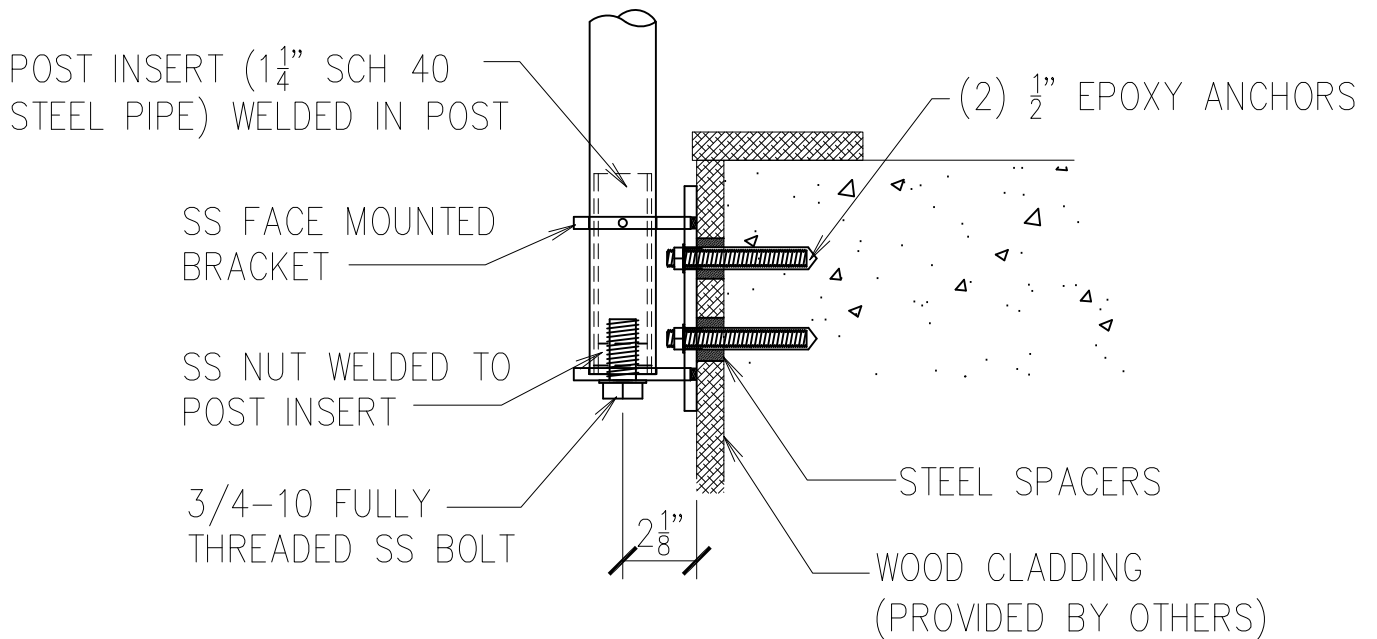
SIDE MOUNTED STAIR MOUNTING
(TUBE STRINGER)



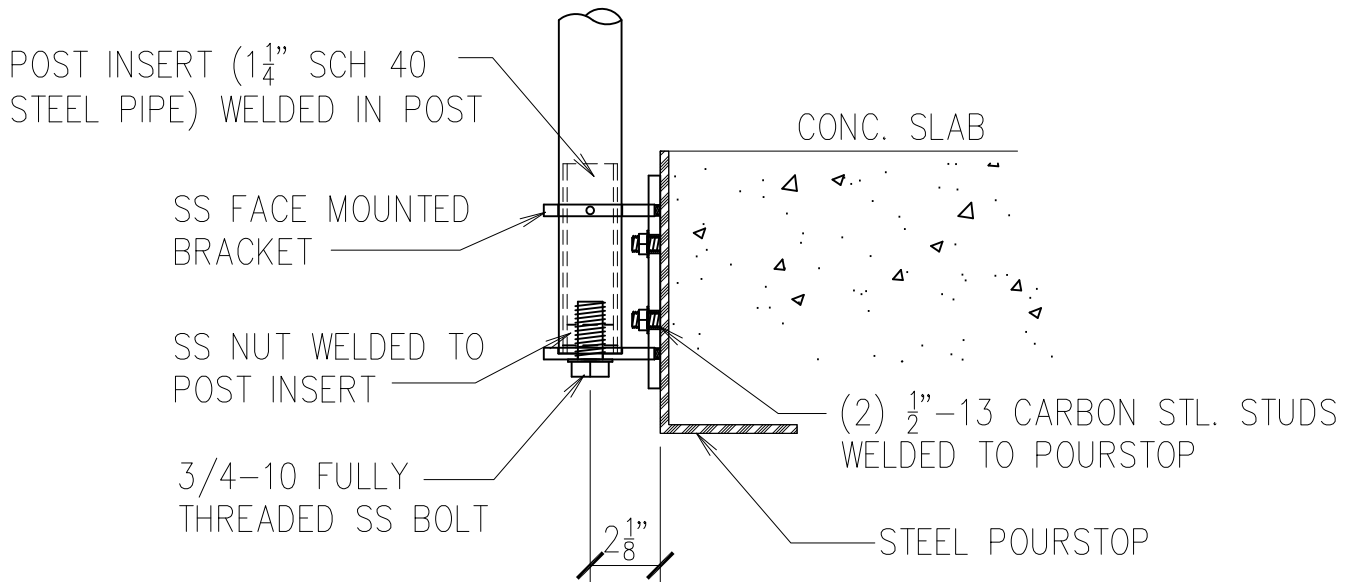
SIDE MOUNTED STAIR MOUNTING
(CHANNEL STRINGER)



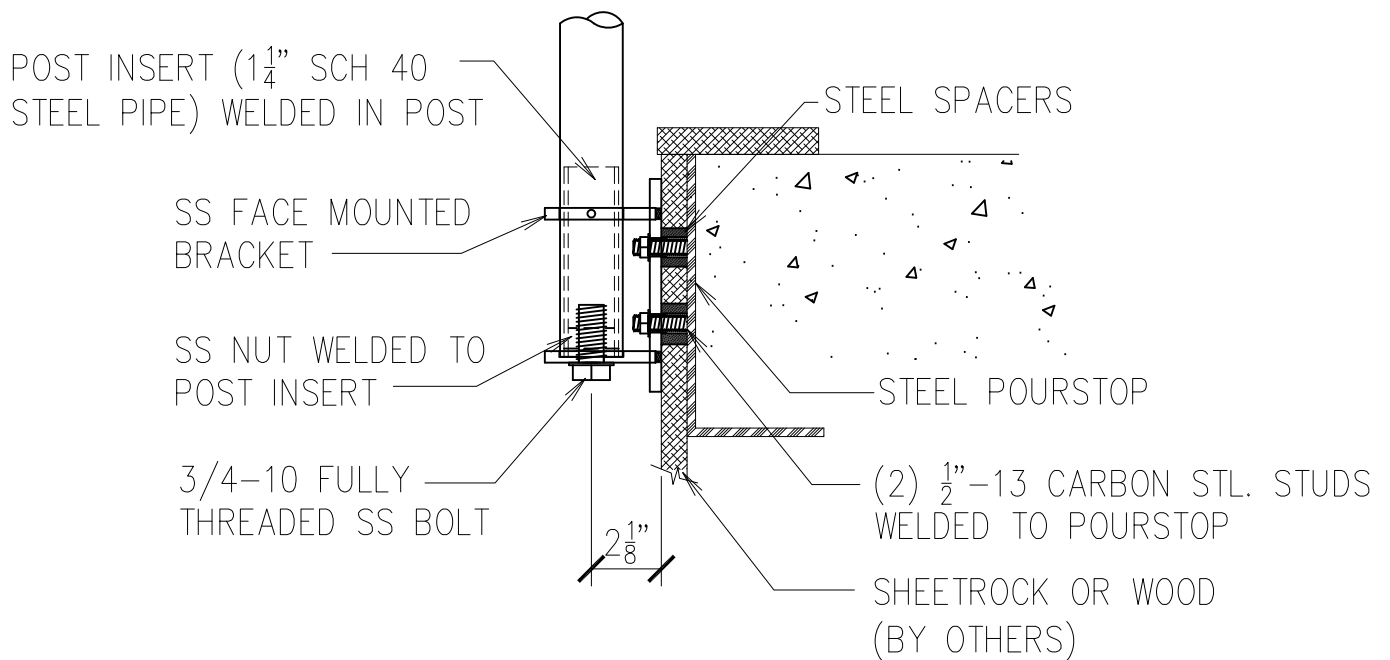
SIDE MOUNTING TO CONCRETE SLAB



SIDE MOUNTING TO CONCRETE SLAB OVER WOOD FACIA OR SHEETROCK



SIDE MOUNT ATTACHED TO POURSTOP



SIDE MOUNT ATTACHED TO POURSTOP OVER WOOD FASCIA OR SHEETROCK