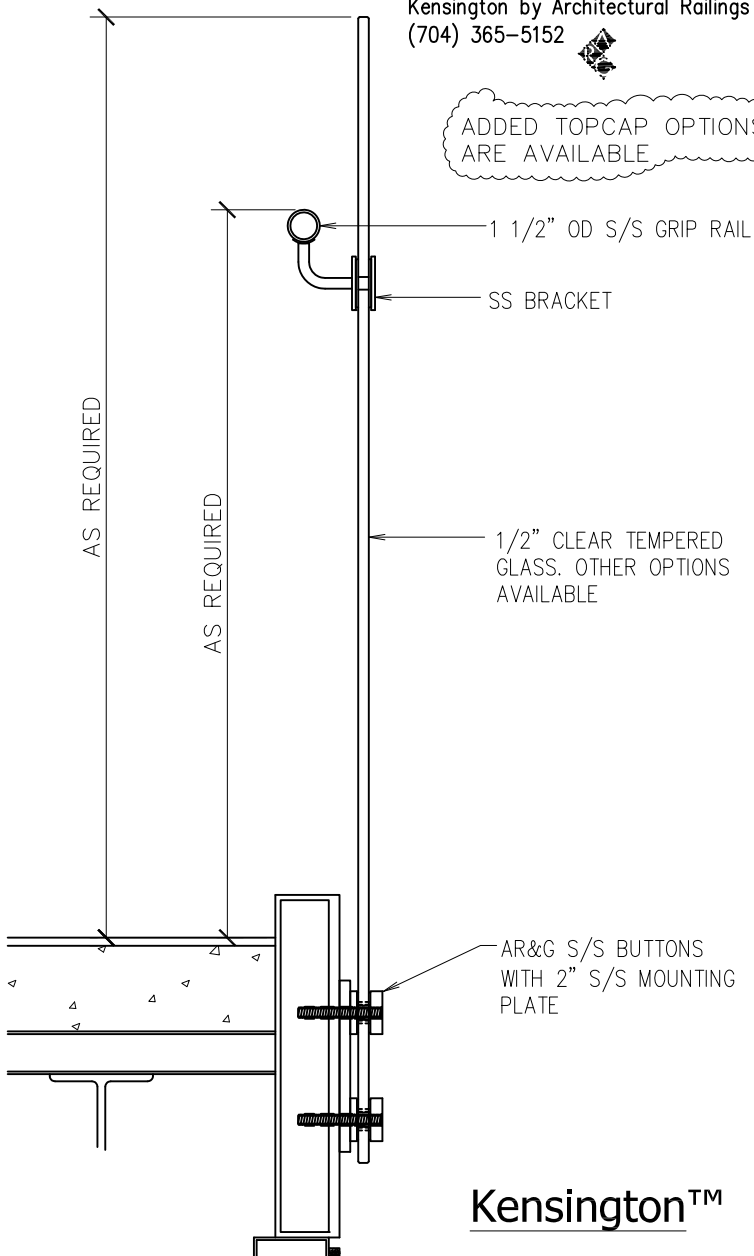


## Kensington™

Kensington by Architectural Railings & Grilles  
(704) 365-5152

ADDED TOPCAP OPTIONS  
ARE AVAILABLE



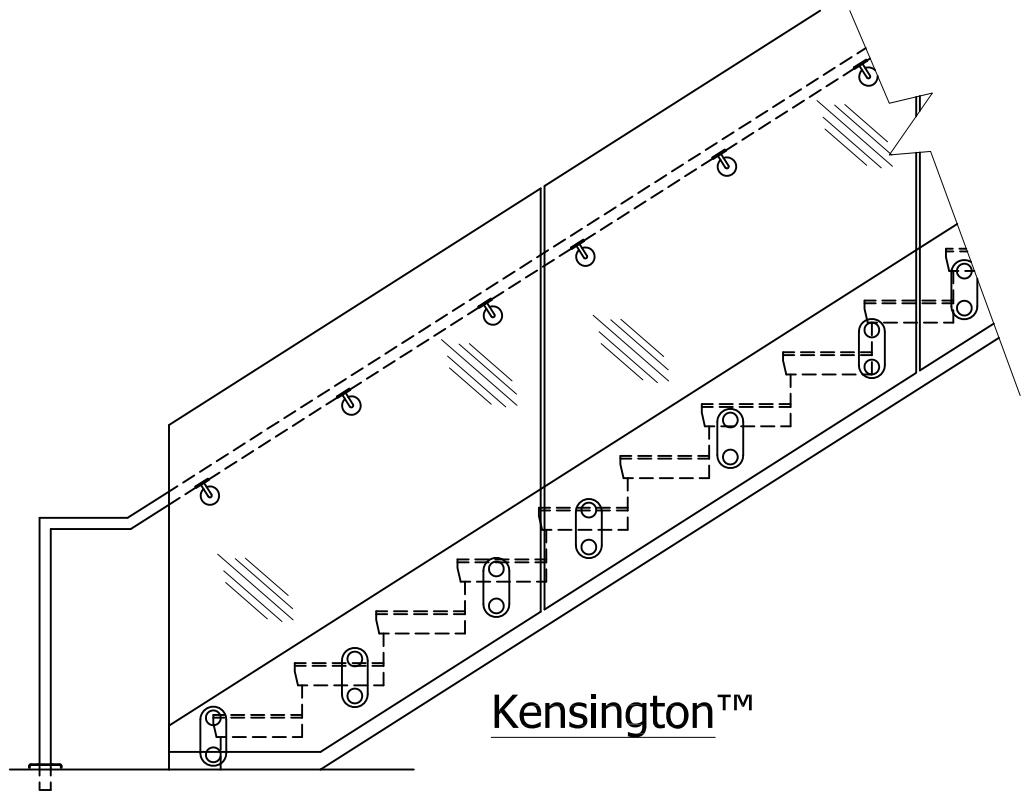
RAIL DESIGN: Kensington



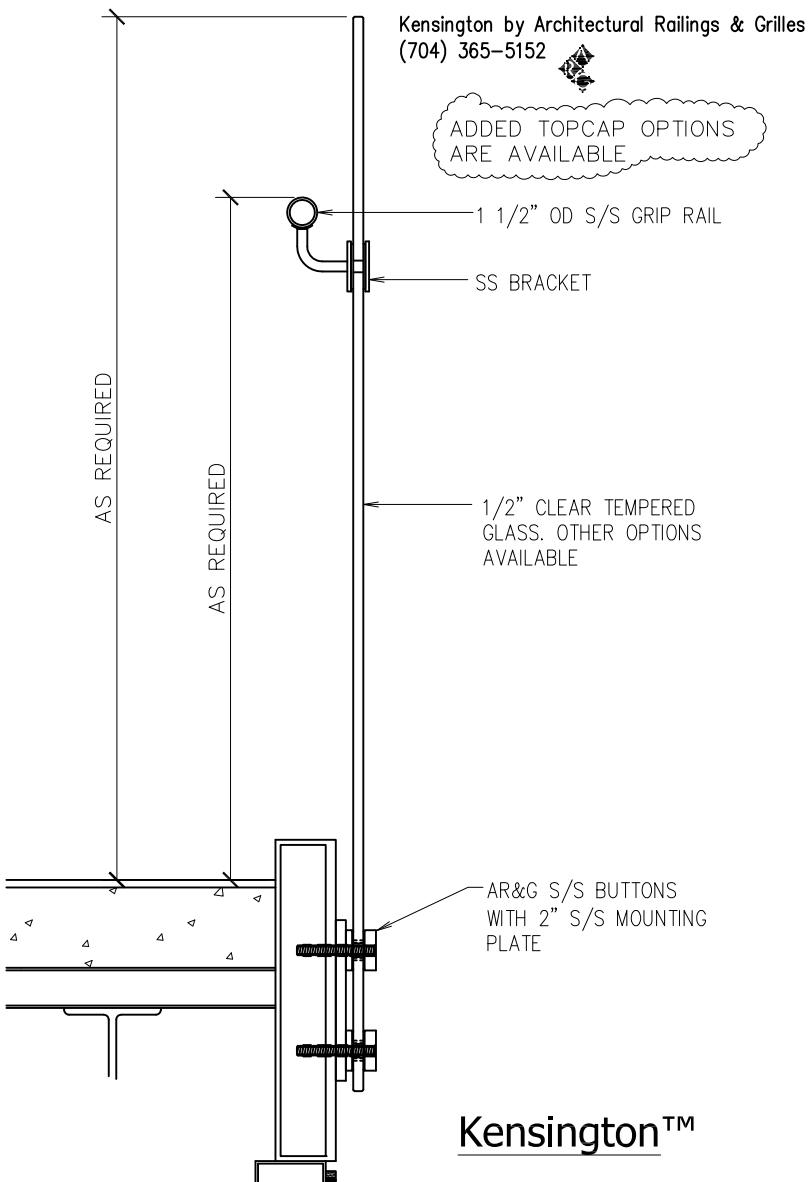
Architectural  
Railings & Grilles  
Fort Mill, SC  
(704)-365-5152

Please visit our  
website for  
available options  
and materials.  
[www.stainless-railing.com](http://www.stainless-railing.com)

Kensington™



**Kensington™**



Kensington by Architectural Railings & Grilles  
(704) 365-5152

ADDED TOPCAP OPTIONS  
ARE AVAILABLE

1 1/2" OD S/S GRIP RAIL

SS BRACKET

1/2" CLEAR TEMPERED  
GLASS. OTHER OPTIONS  
AVAILABLE

AR&G S/S BUTTONS  
WITH 2" S/S MOUNTING  
PLATE

**Kensington™**

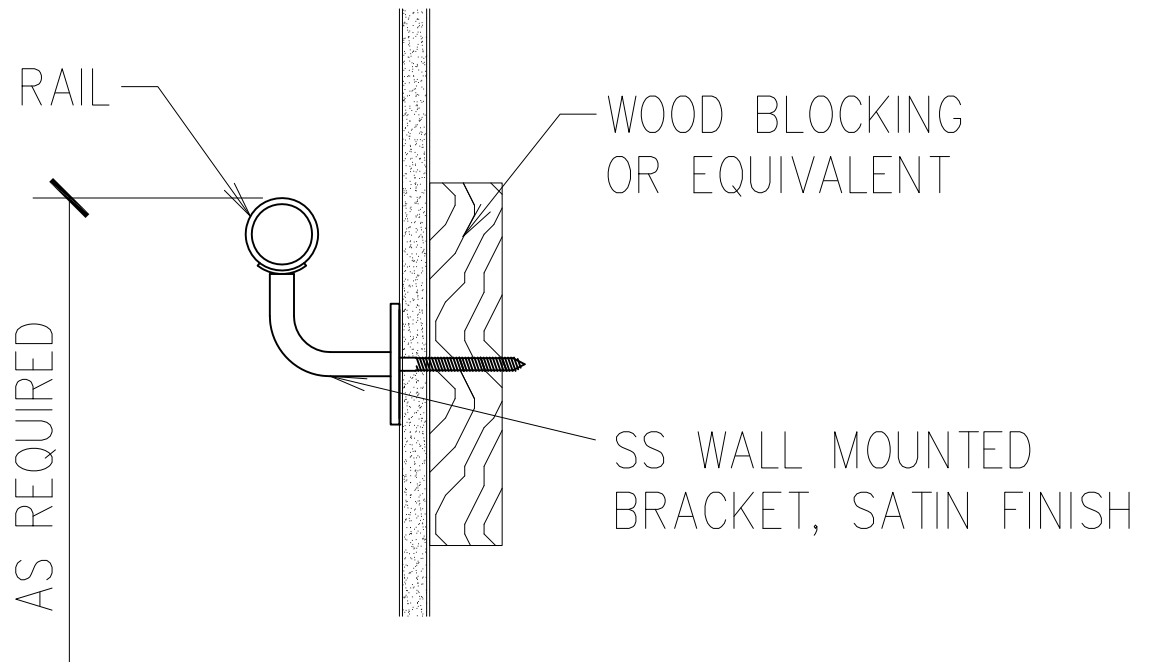
RAIL DESIGN: Kensington



**Architectural  
Railings & Grilles**  
Fort Mill, SC  
(704)-365-5152

Please visit our  
website for  
available options  
and materials.  
[www.stainless-railing.com](http://www.stainless-railing.com)

1 1/2" OD  
S/S HAND RAIL



WALL MOUNTED  
RAIL DETAILS