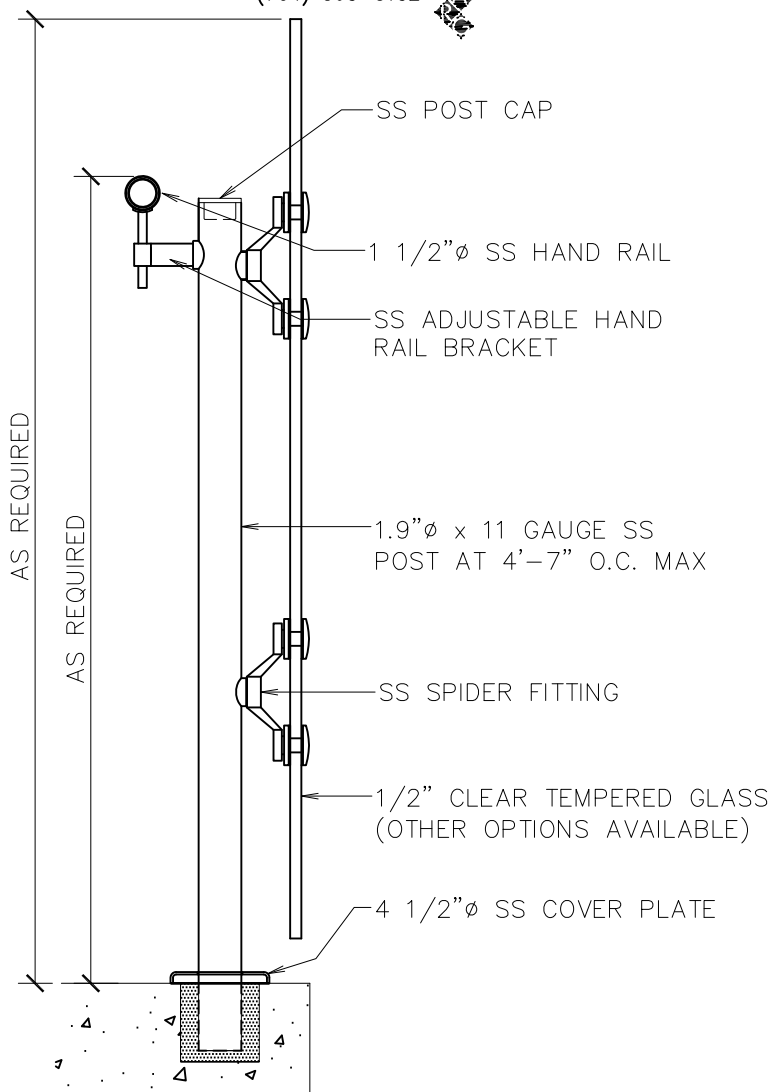


## Hamilton™

Hamilton by Architectural Railings & Grilles  
(704) 365-5152



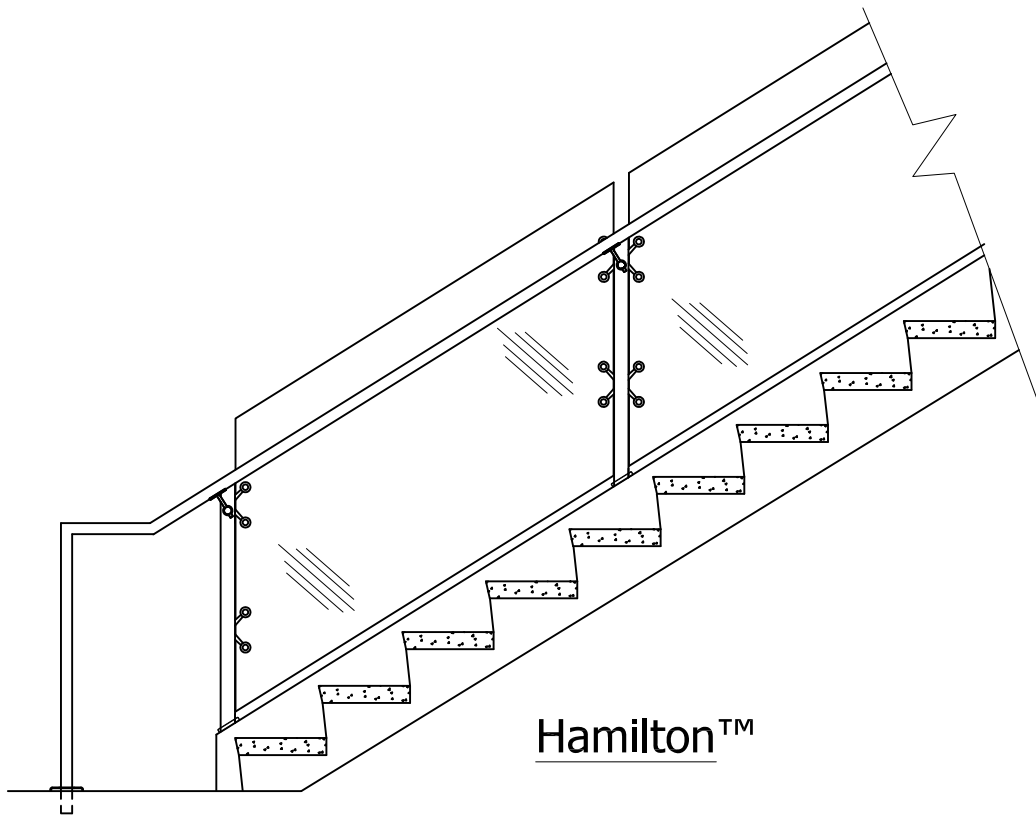
RAIL DESIGN: Hamilton



Architectural  
Railings & Grilles  
Fort Mill, SC  
(704)-365-5152

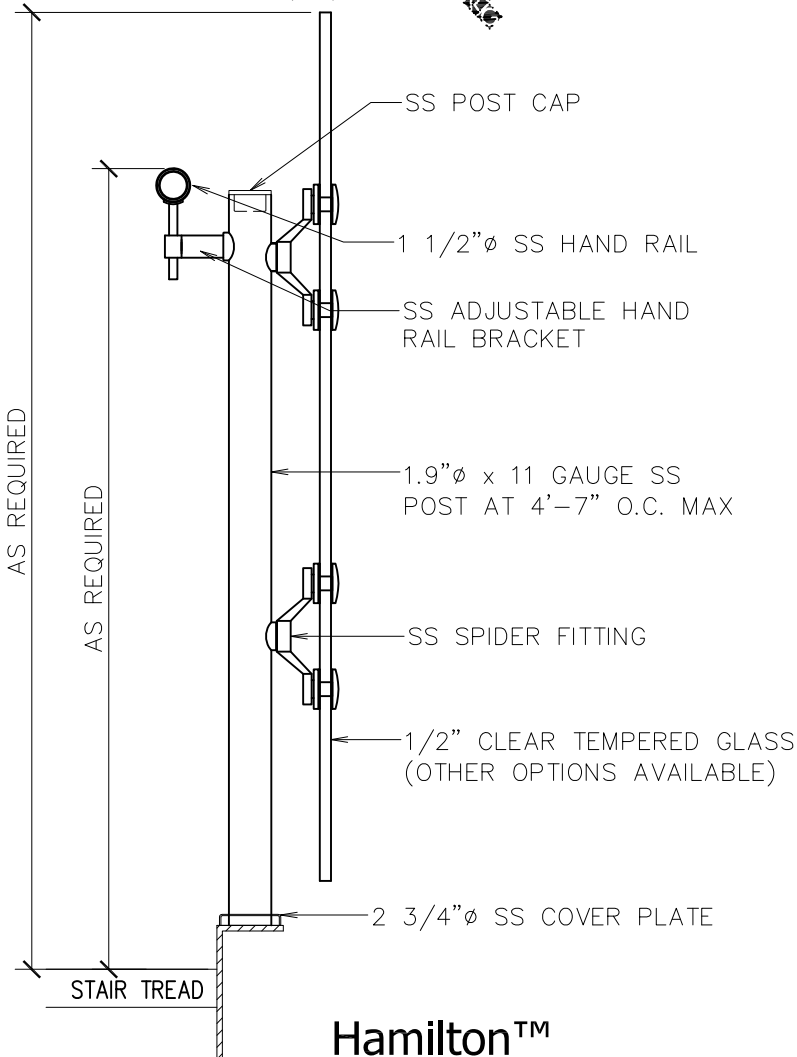
Please visit our  
website for  
available options  
and materials.  
[www.stainless-railing.com](http://www.stainless-railing.com)

## Hamilton™



Hamilton™

Hamilton by Architectural Railings & Grilles  
(704) 365-5152



RAIL DESIGN: Hamilton

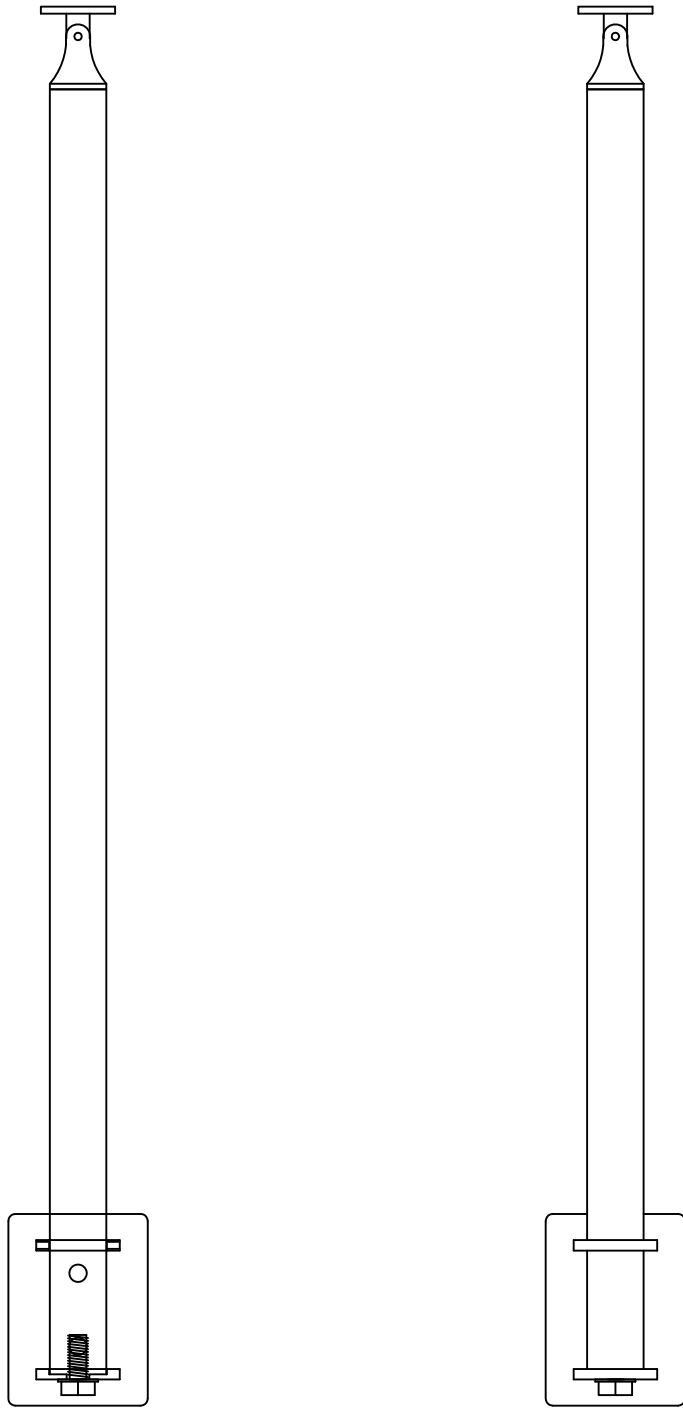


Architectural  
Railings & Grilles  
Fort Mill, SC  
(704)-365-5152

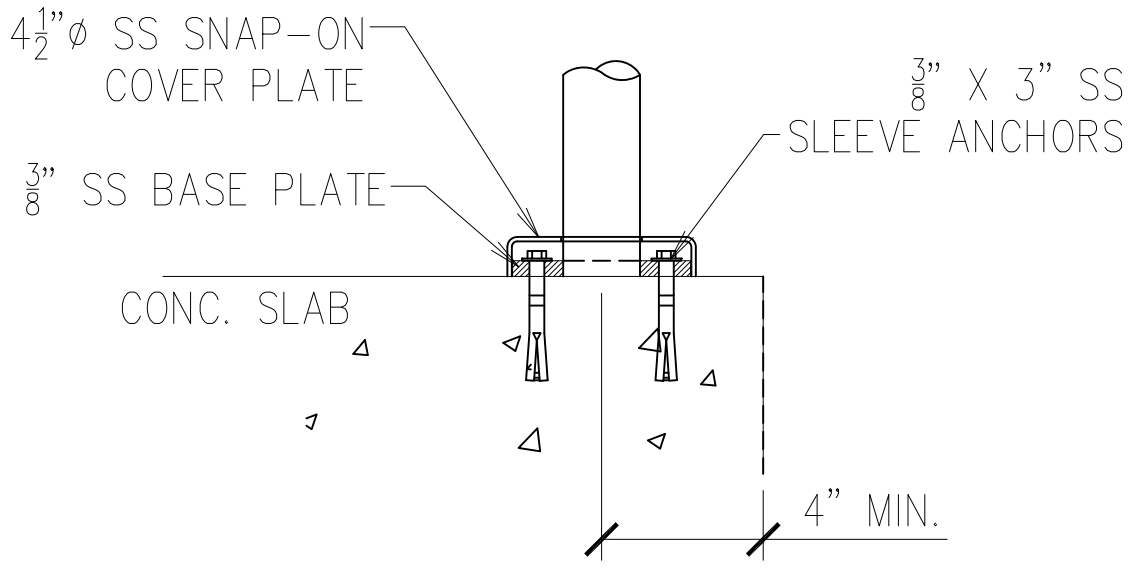
Please visit our  
website for  
available options  
and materials.

[www.stainless-railing.com](http://www.stainless-railing.com)

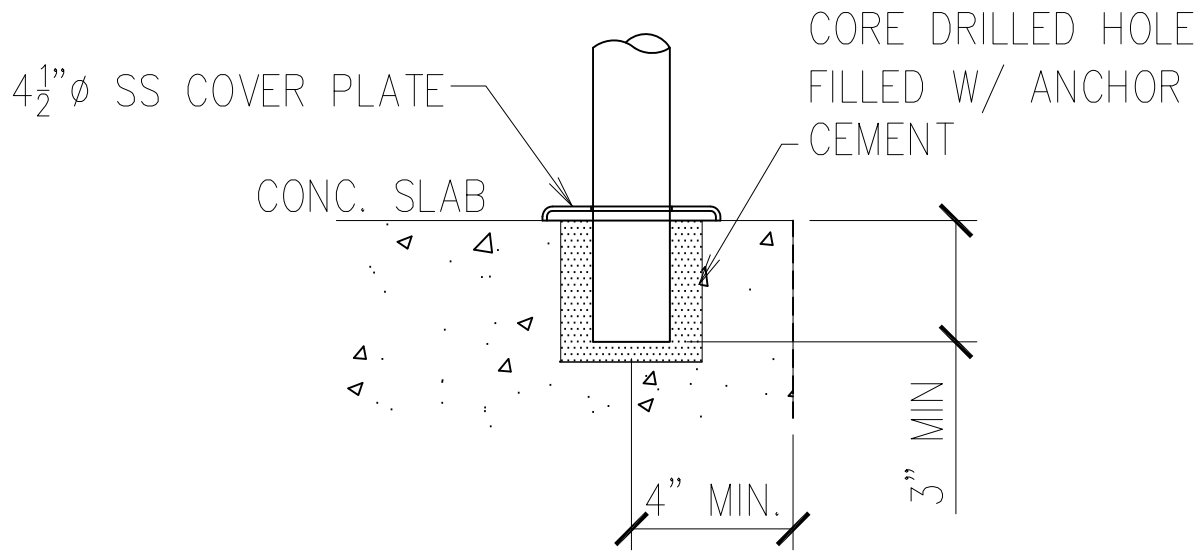
Hamilton™



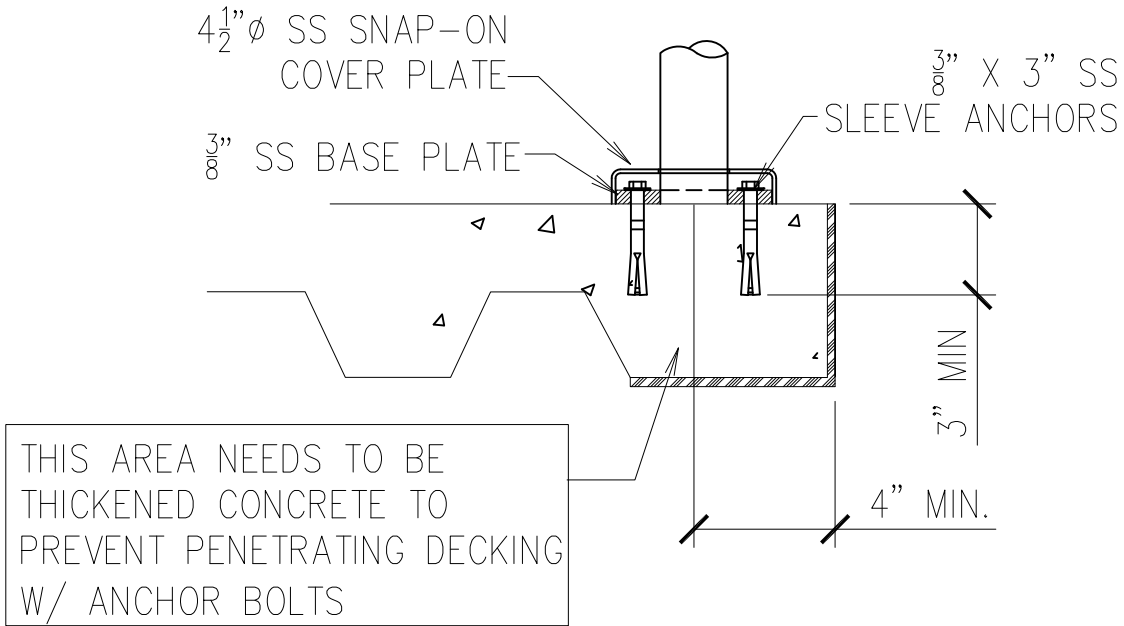
SIDE MOUNT  
BRACKET ELEVATION



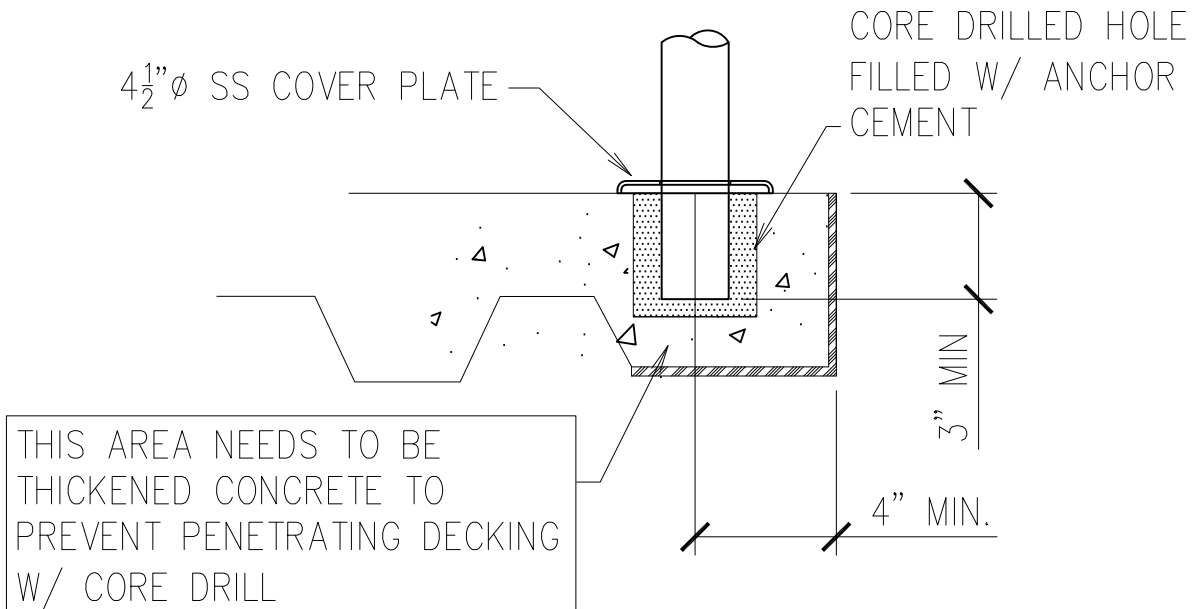
BASE PLATE MOUNTING



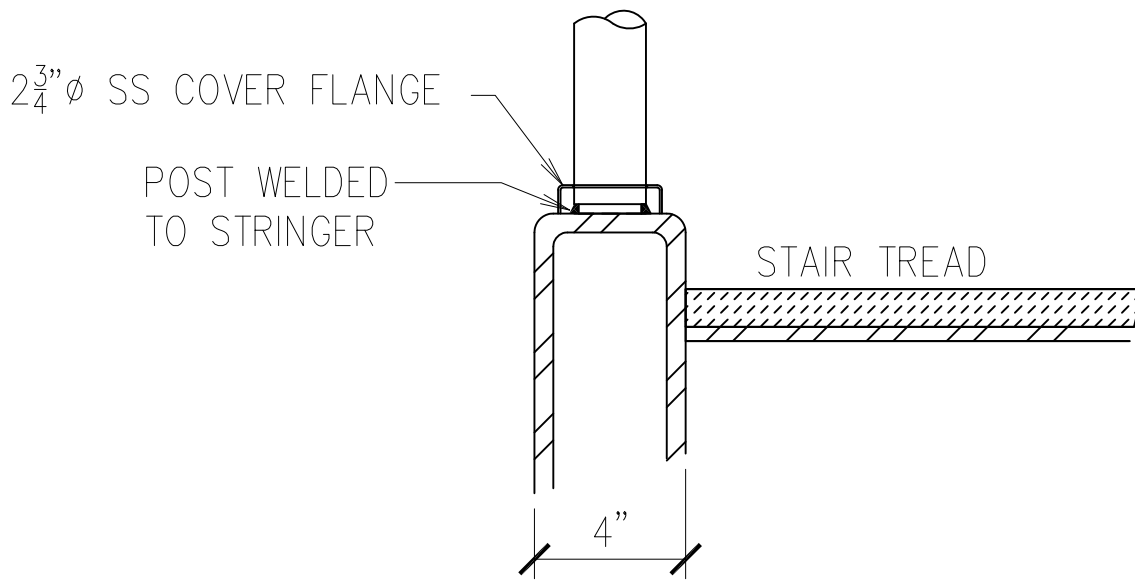
CORE DRILL MOUNTING



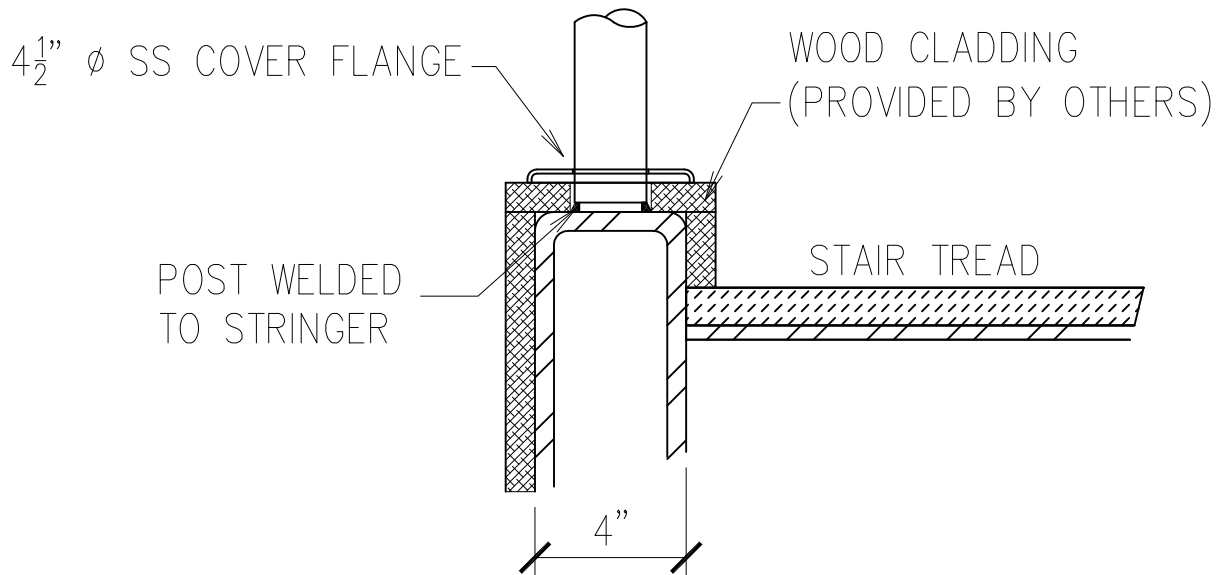
CORE DRILL MOUNTING  
OVER CORRUGATED DECKING



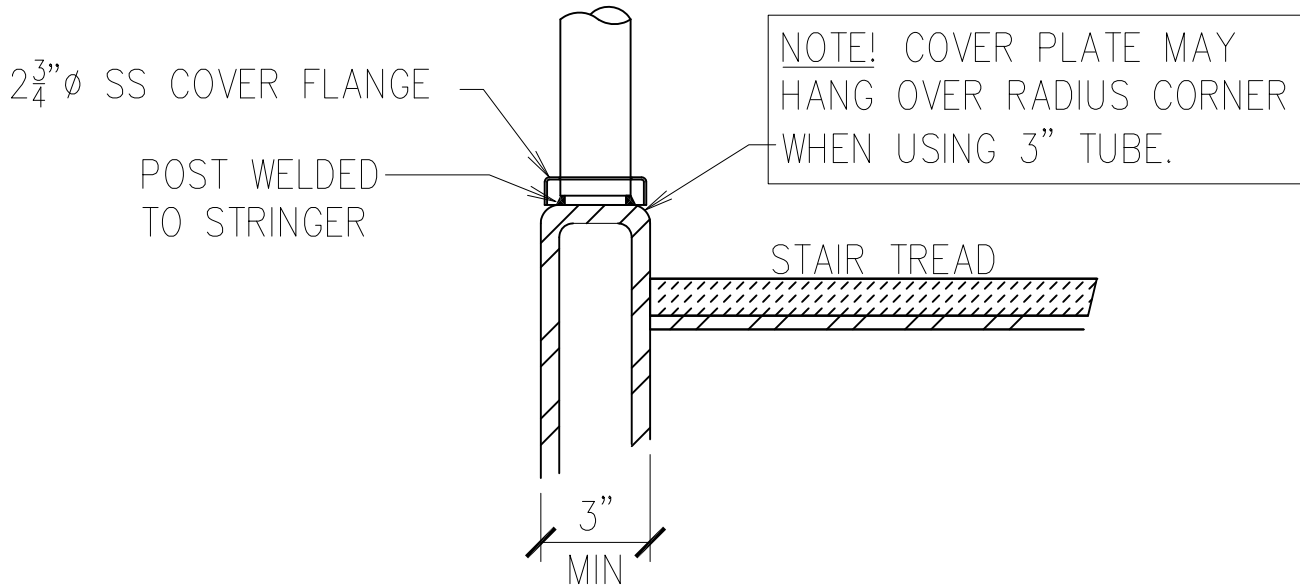
CORE DRILL MOUNTING  
OVER CORRUGATED DECKING



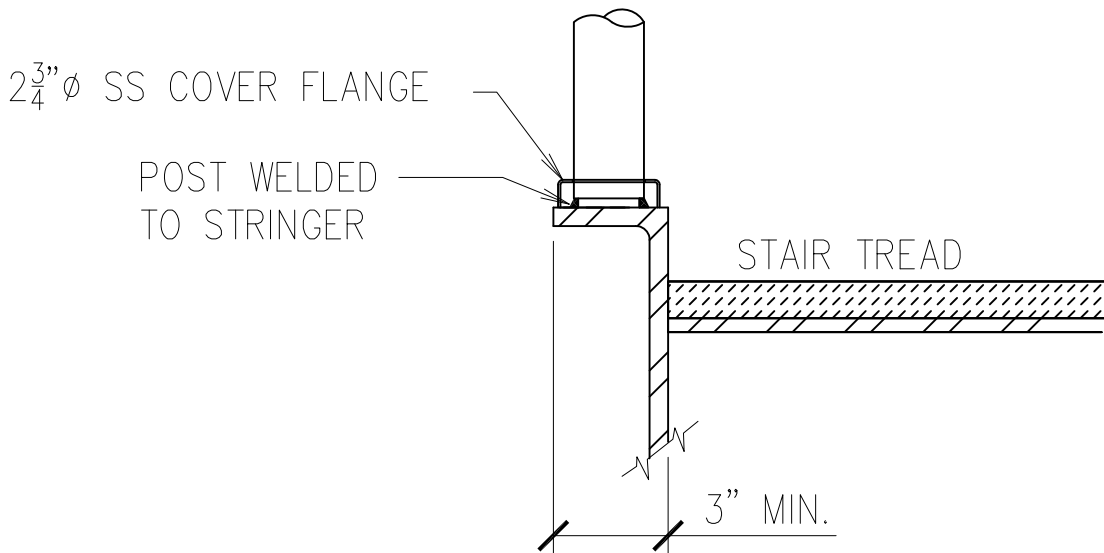
WELDED STAIR MOUNTING  
(4" TUBE STRINGER)



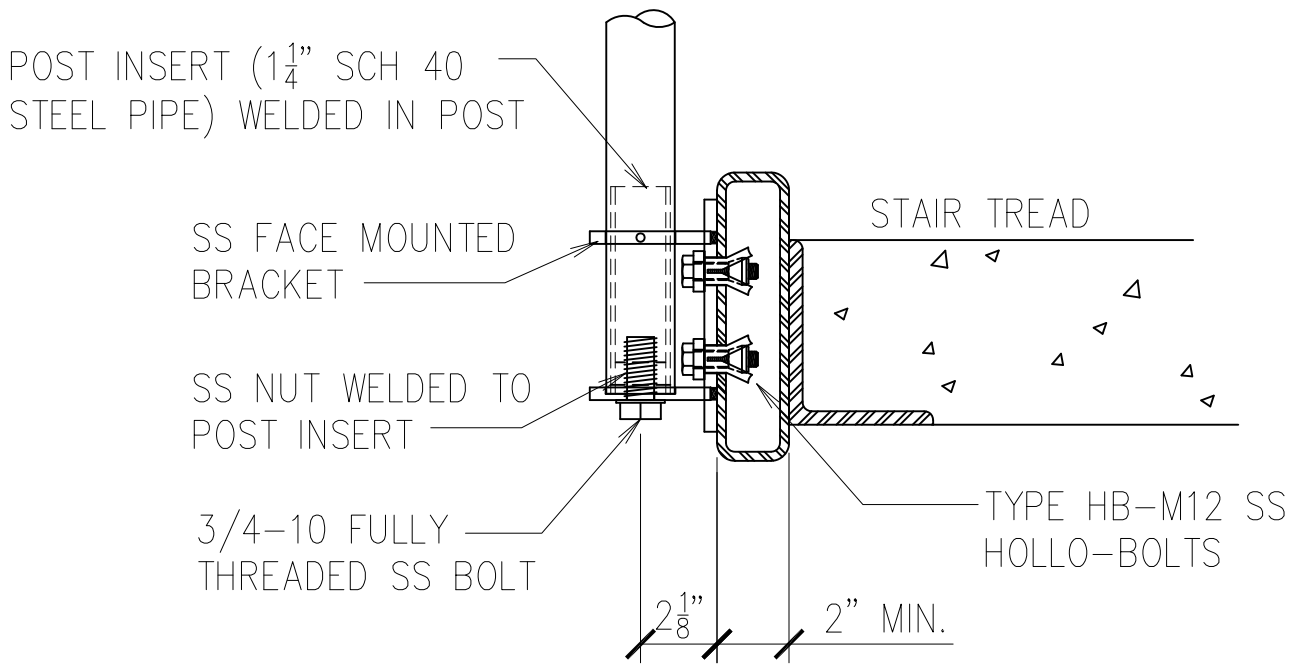
WELDED STAIR MOUNTING  
W/ WOOD CLADDING



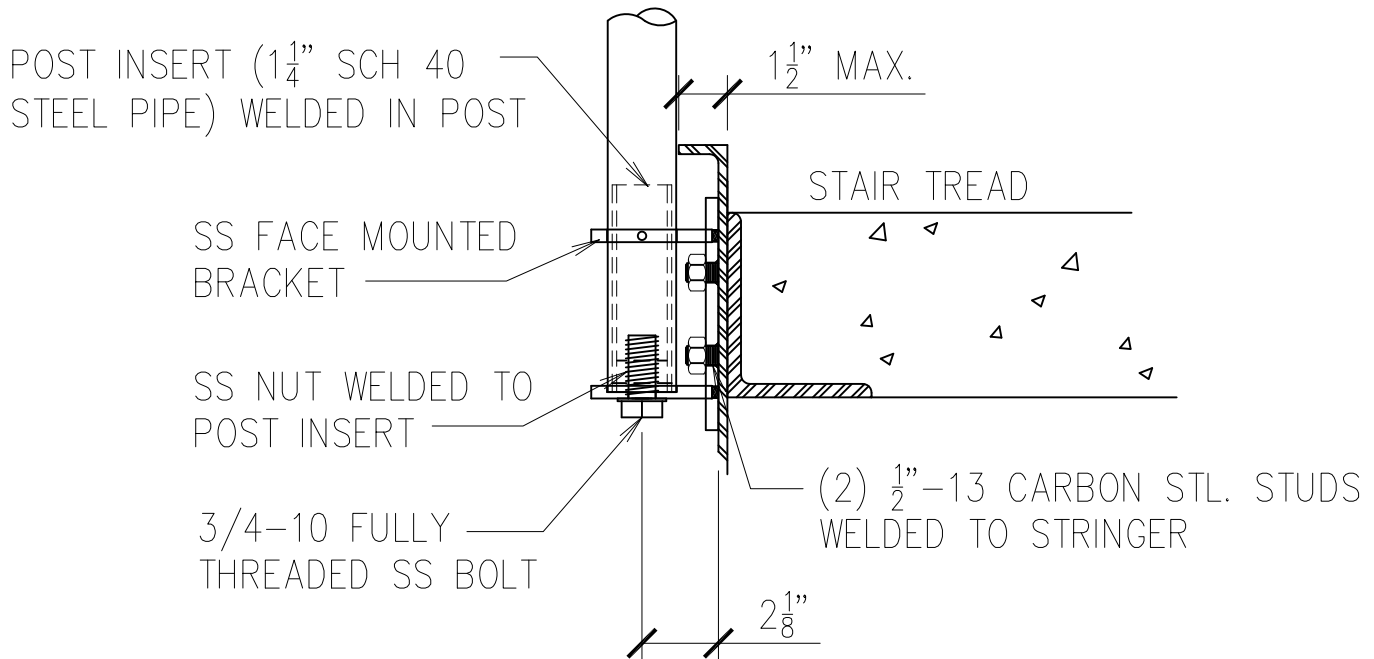
WELDED STAIR MOUNTING  
(3" TUBE STRINGER)



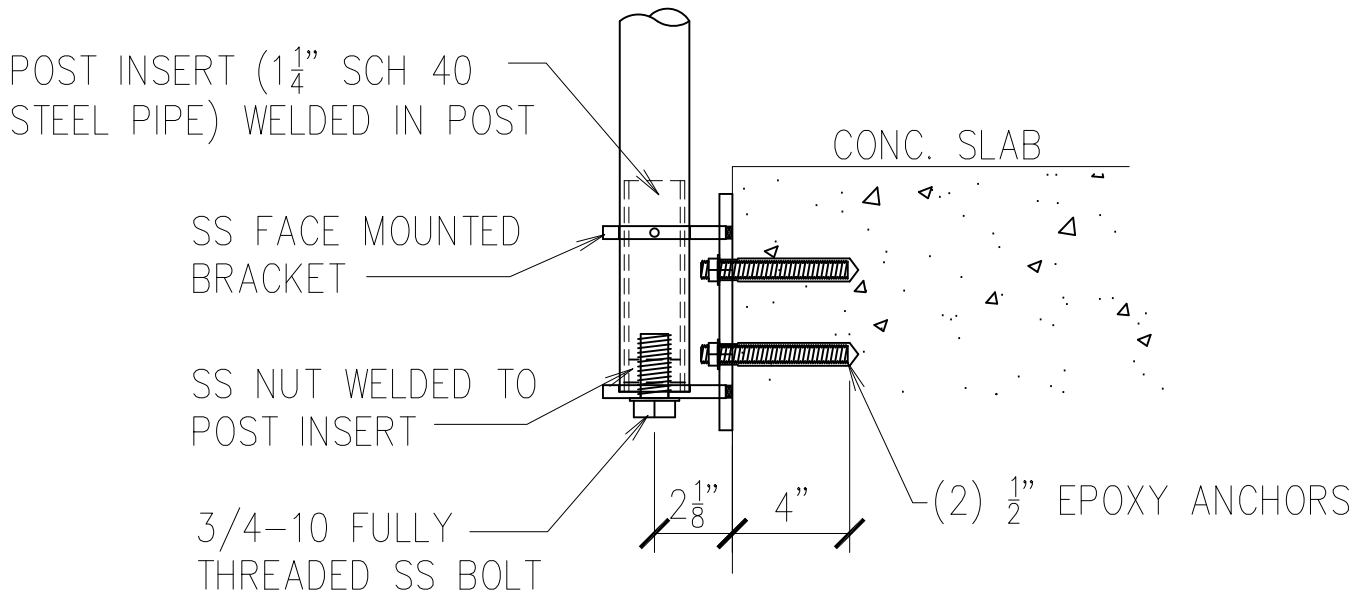
WELDED STAIR MOUNTING  
(CHANNEL STRINGER)



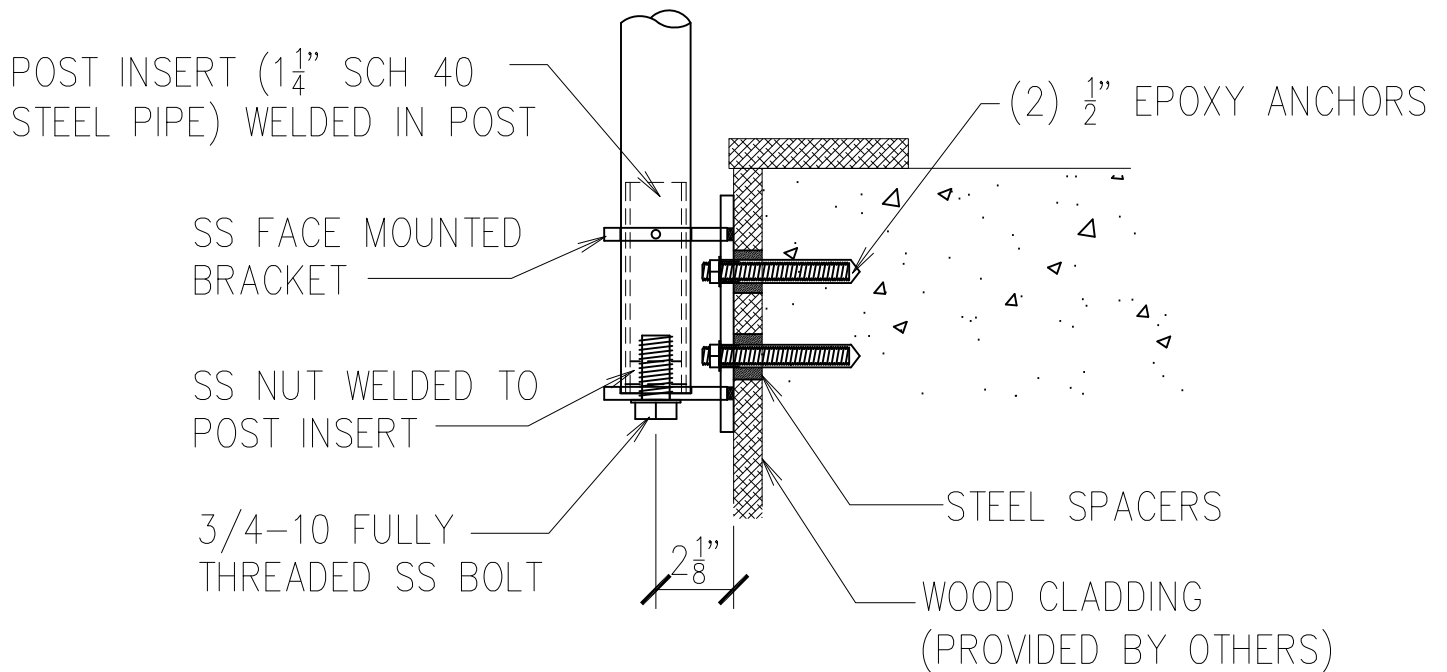
*SIDE MOUNTED STAIR MOUNTING*  
*(TUBE STRINGER)*



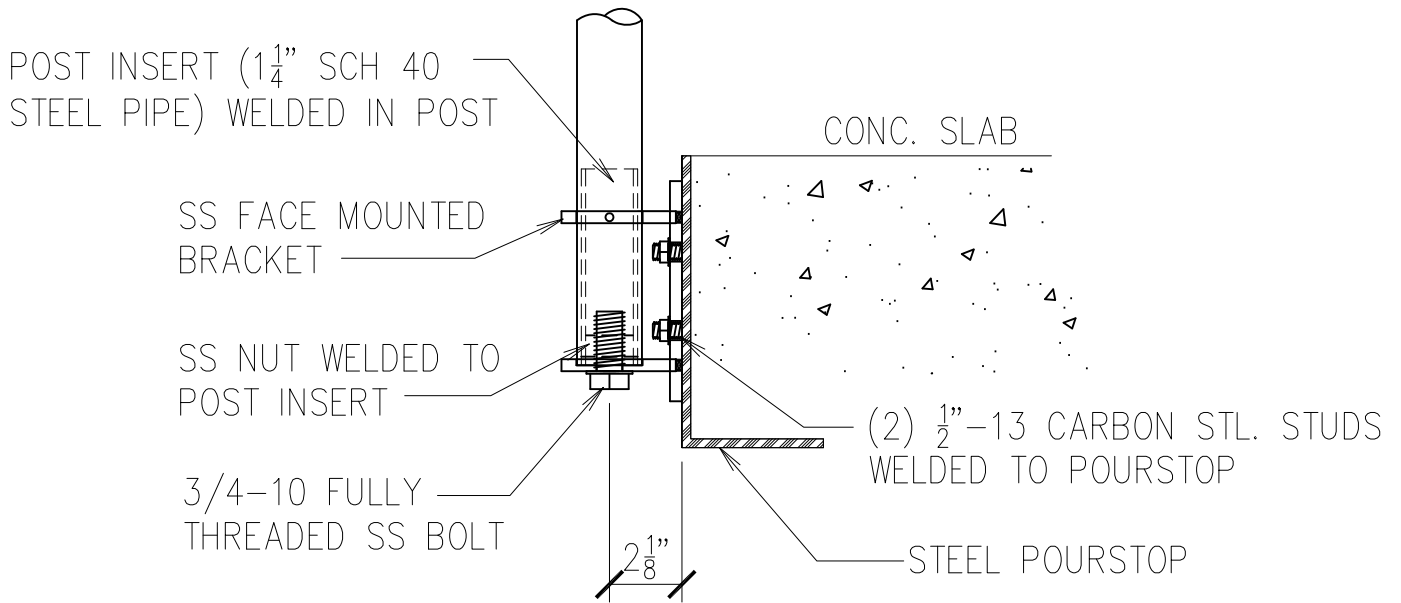
*SIDE MOUNTED STAIR MOUNTING*  
*(CHANNEL STRINGER)*



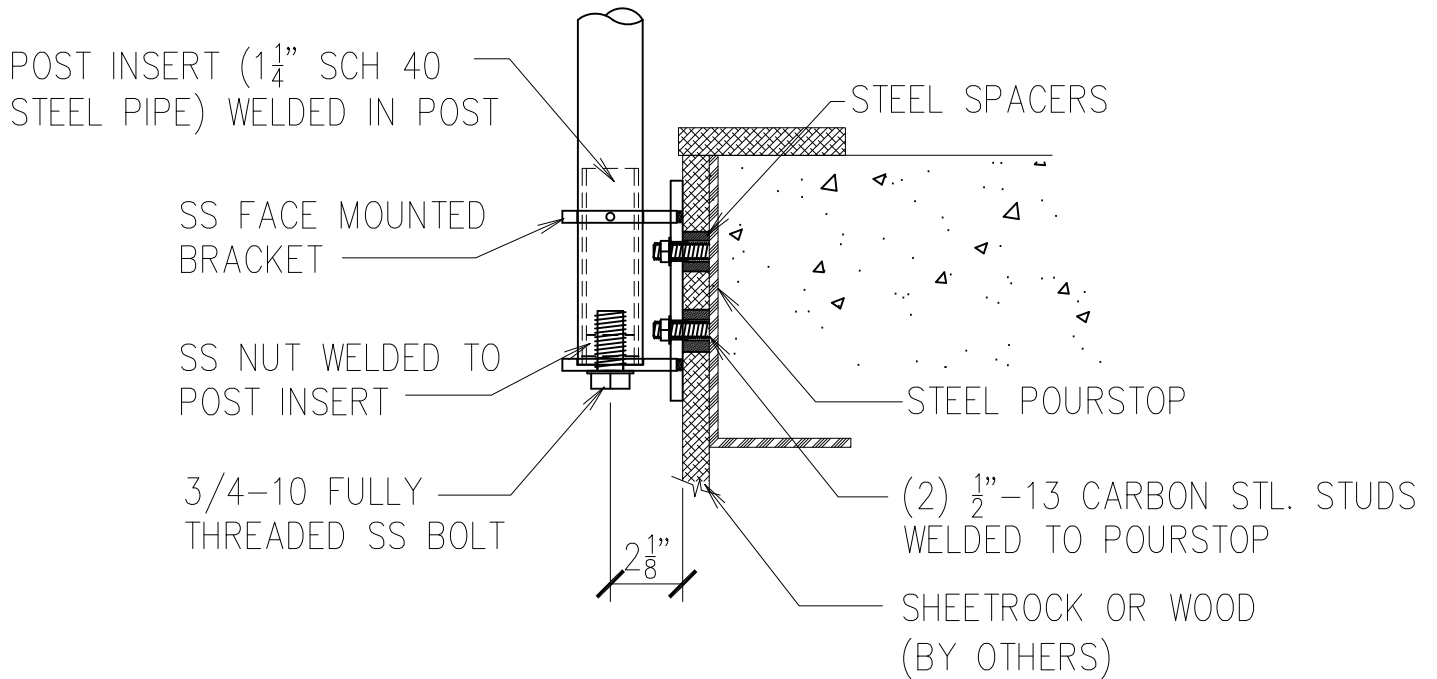
SIDE MOUNTING TO  
CONCRETE SLAB



SIDE MOUNTING TO  
CONCRETE SLAB OVER  
WOOD FACIA OR SHEETROCK



SIDE MOUNT ATTACHED  
TO POURSTOP



SIDE MOUNT ATTACHED  
TO POURSTOP OVER  
WOOD FASCIA OR SHEETROCK