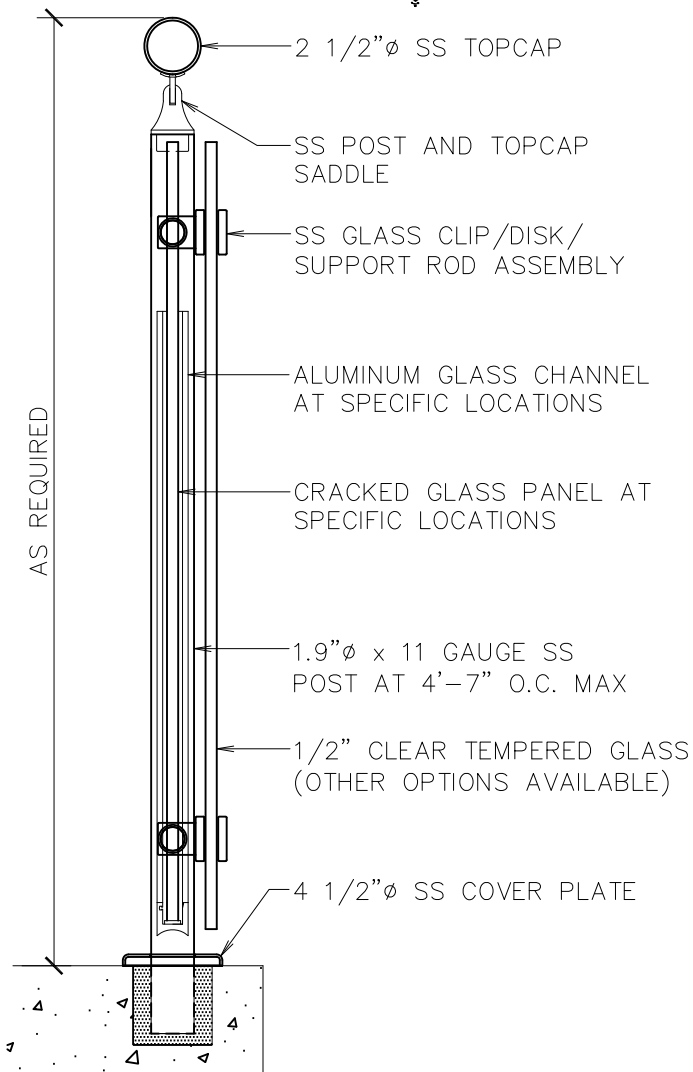


Four Seasons™

Four Seasons by Architectural Railings & Grilles
 (704) 365-5152



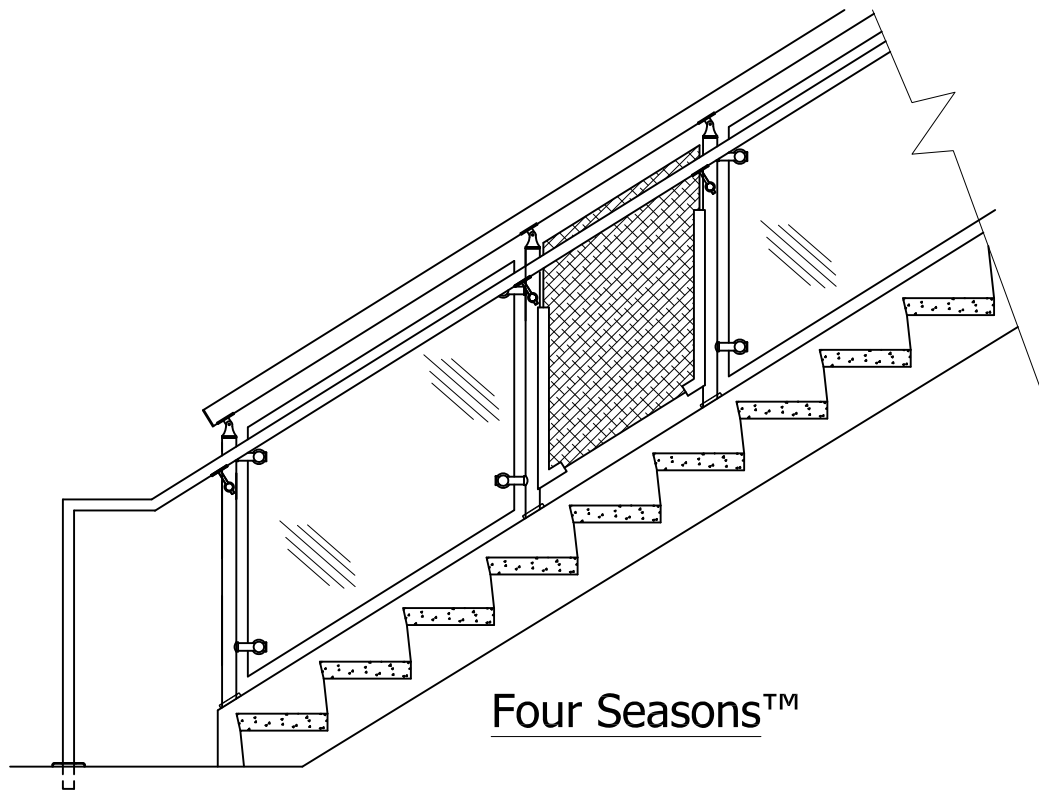
RAIL DESIGN: Four Seasons



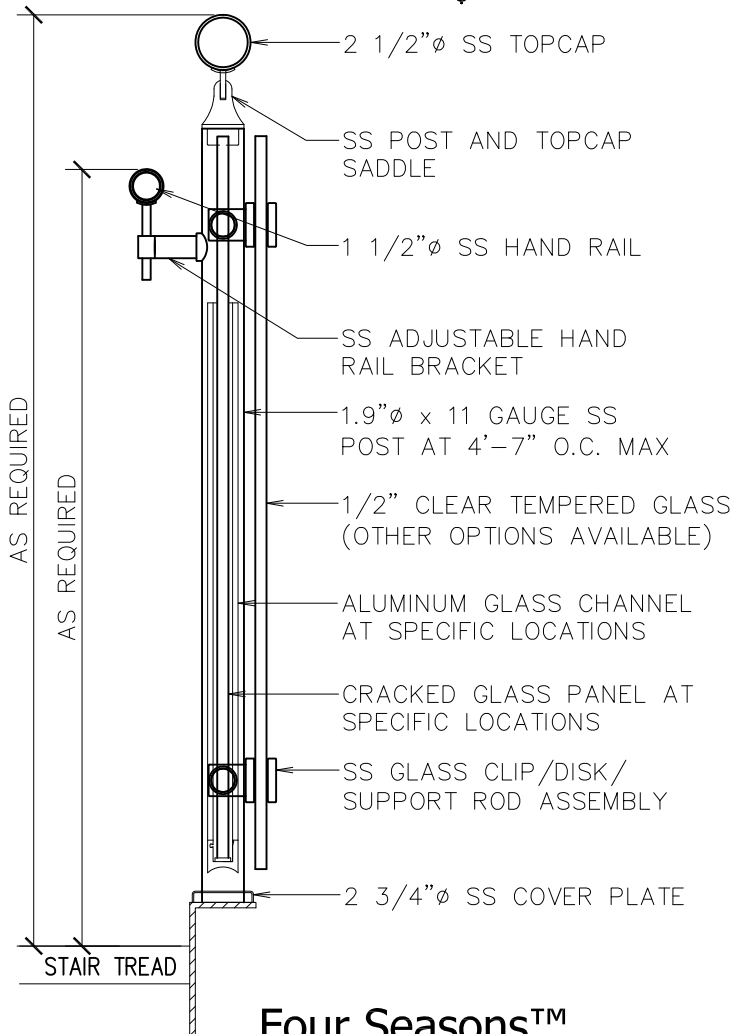
Architectural
 Railings & Grilles
 Fort Mill, SC
 (704)-365-5152

Please visit our
 website for
 available options
 and materials.
www.stainless-railing.com

Four Seasons™



Four Seasons by Architectural Railings & Grilles
 (704) 365-5152



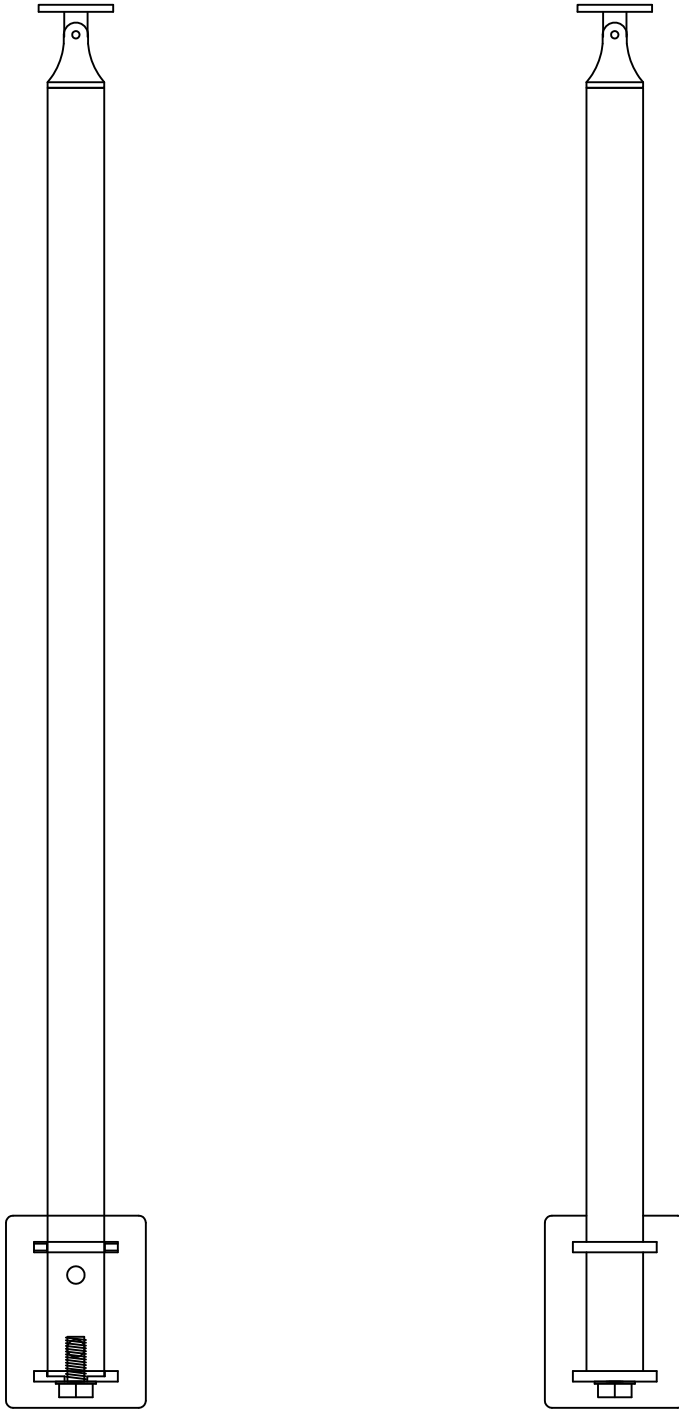
RAIL DESIGN: Four Seasons



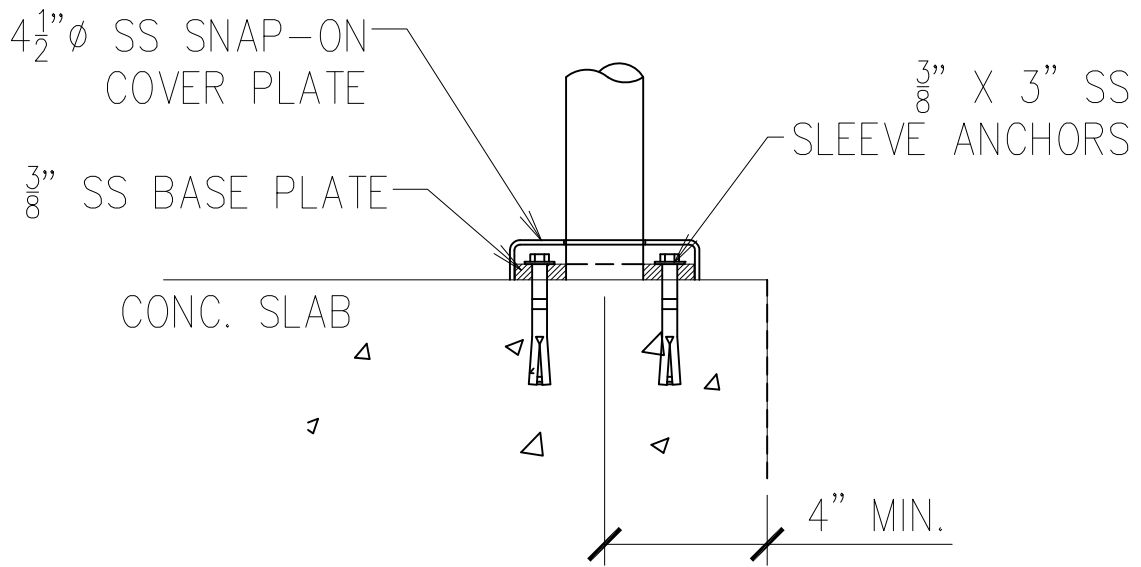
Architectural
 Railings & Grilles
 Fort Mill, SC
 (704)-365-5152

Please visit our
 website for
 available options
 and materials.
www.stainless-railing.com

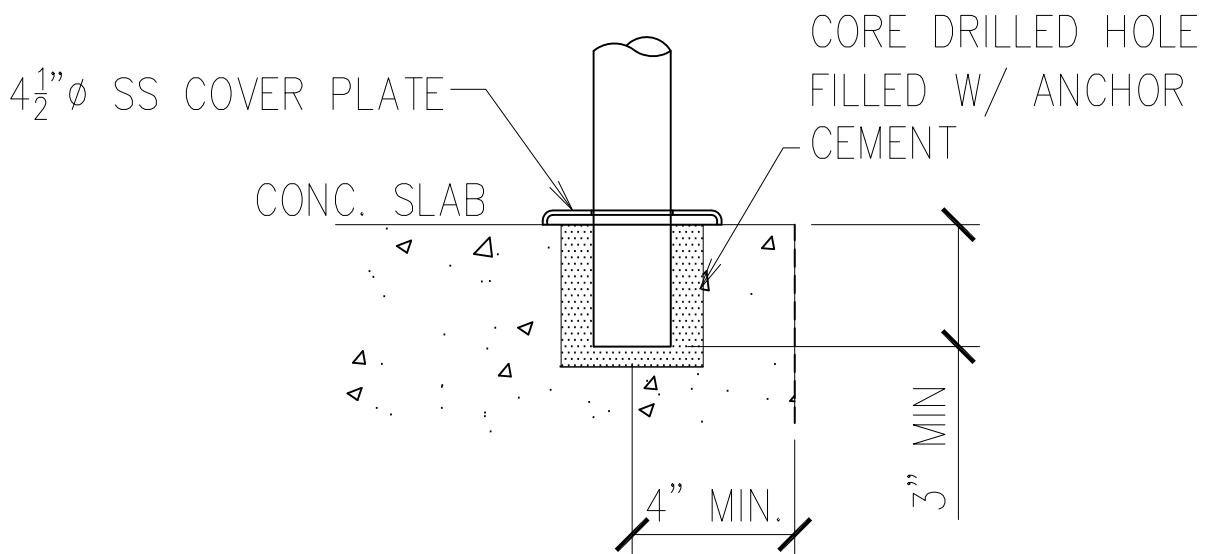
Four Seasons™



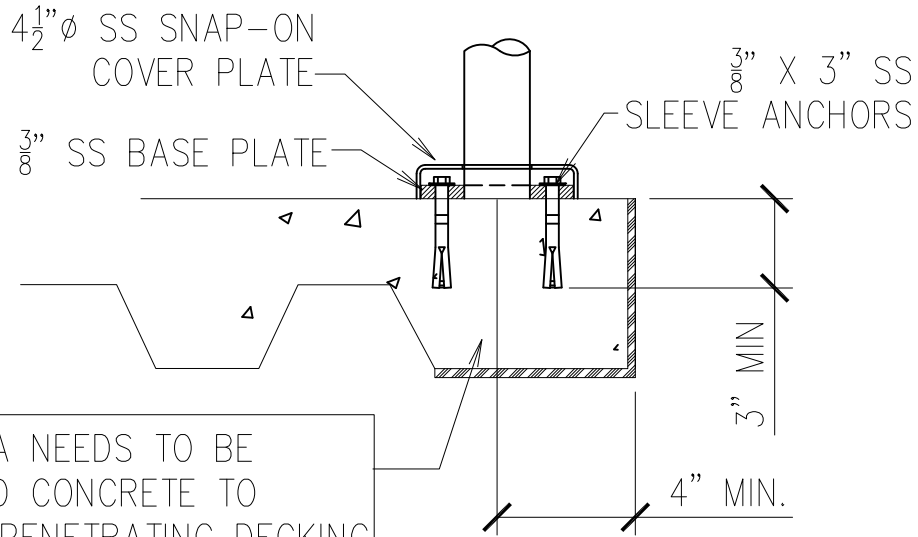
SIDE MOUNT
BRACKET ELEVATION



BASE PLATE MOUNTING

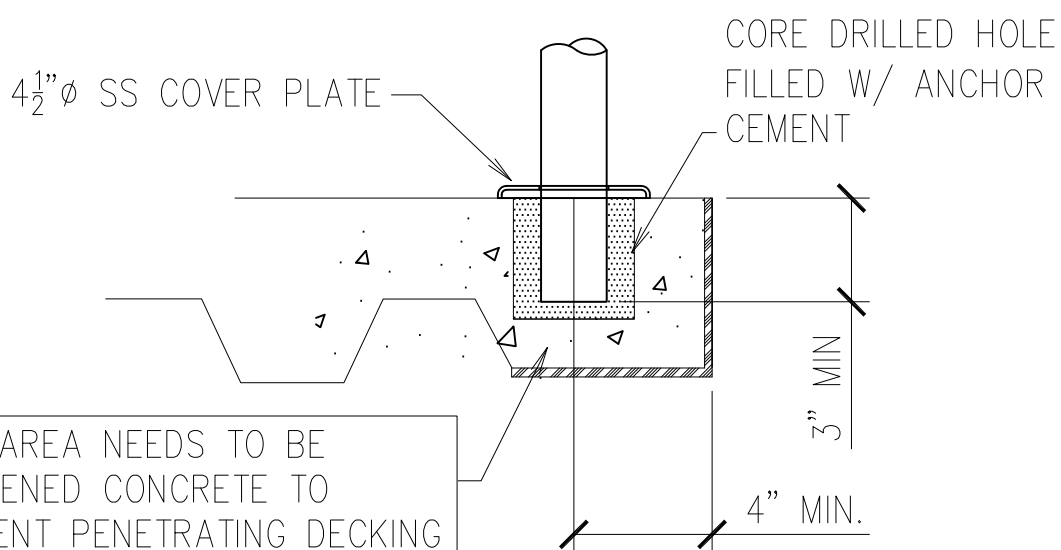


CORE DRILL MOUNTING



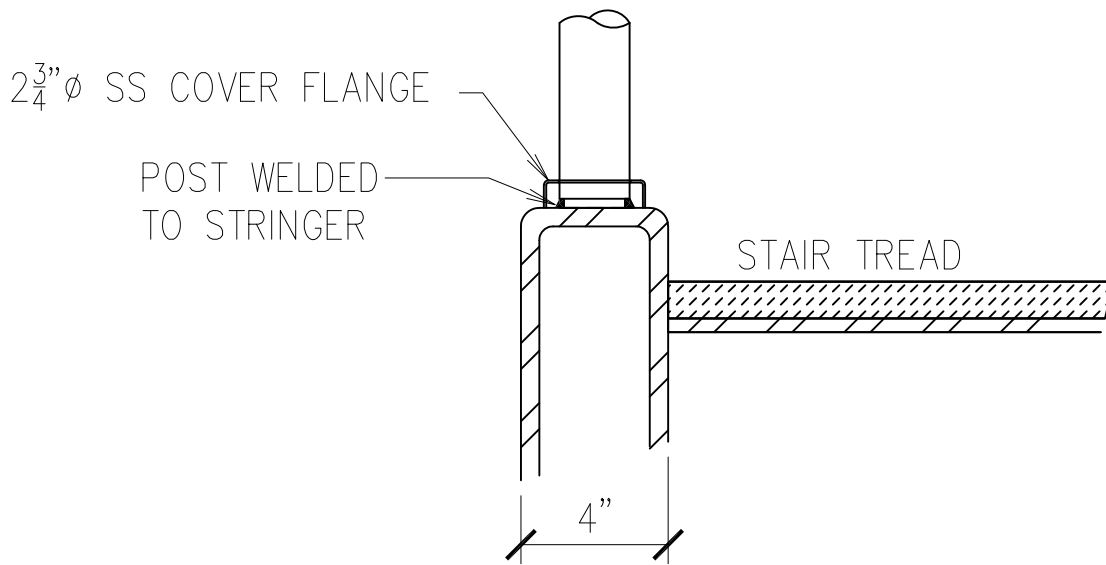
THIS AREA NEEDS TO BE THICKENED CONCRETE TO PREVENT PENETRATING DECKING W/ ANCHOR BOLTS

CORE DRILL MOUNTING
OVER CORRUGATED DECKING

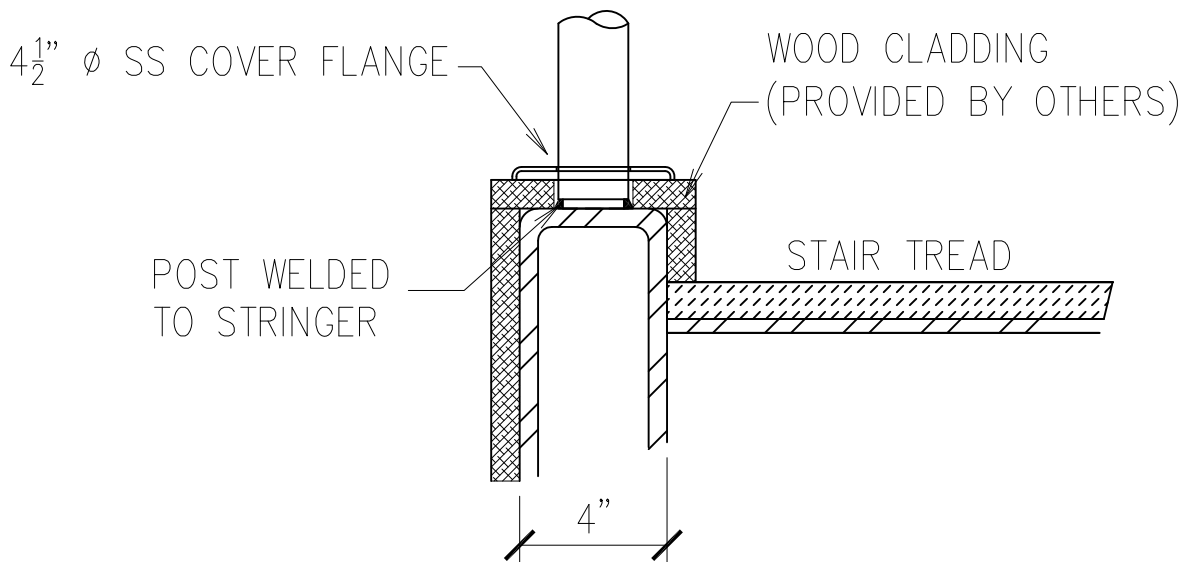


THIS AREA NEEDS TO BE THICKENED CONCRETE TO PREVENT PENETRATING DECKING W/ CORE DRILL

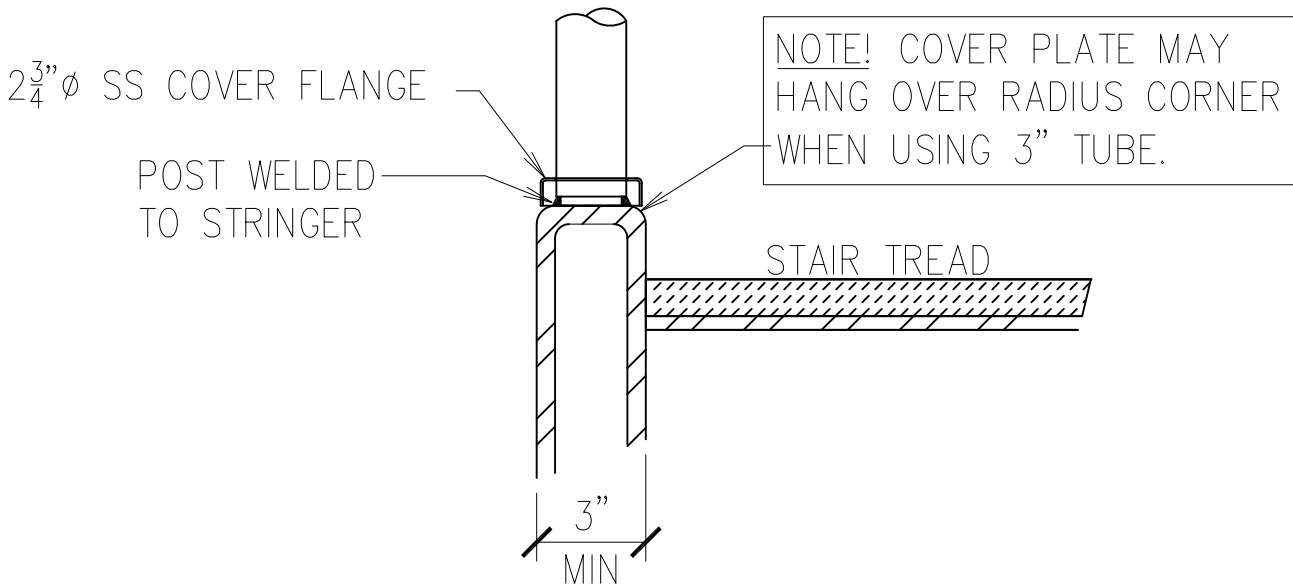
CORE DRILL MOUNTING
OVER CORRUGATED DECKING



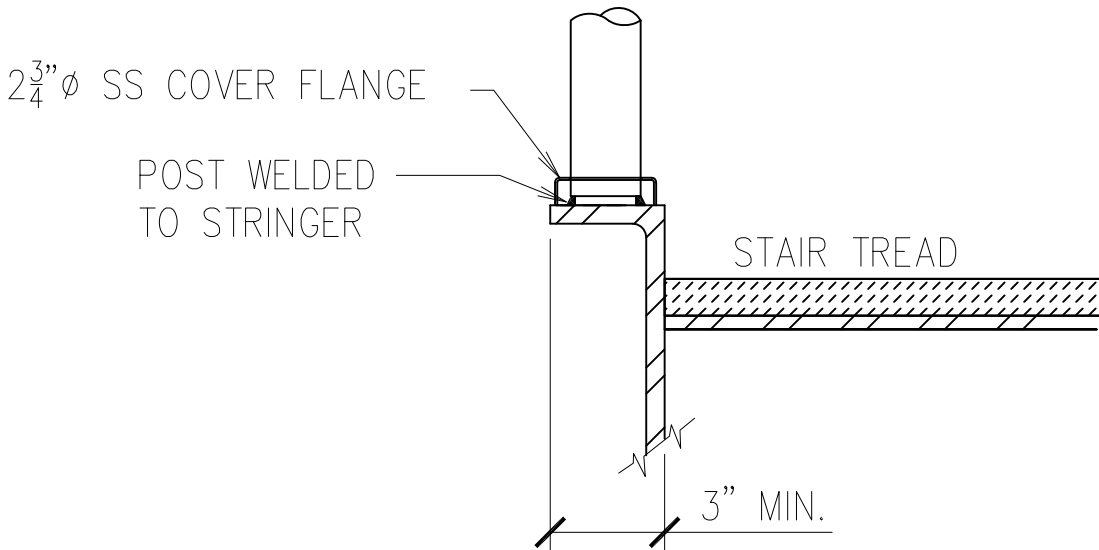
WELDED STAIR MOUNTING
(4" TUBE STRINGER)



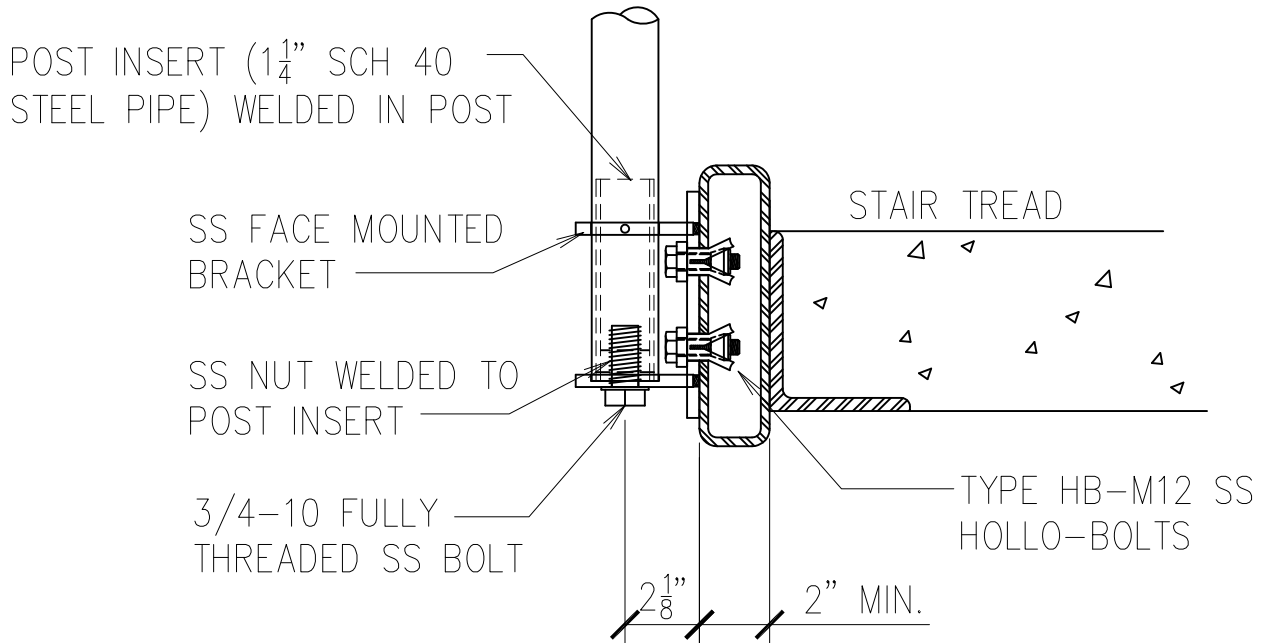
WELDED STAIR MOUNTING
W/ WOOD CLADDING



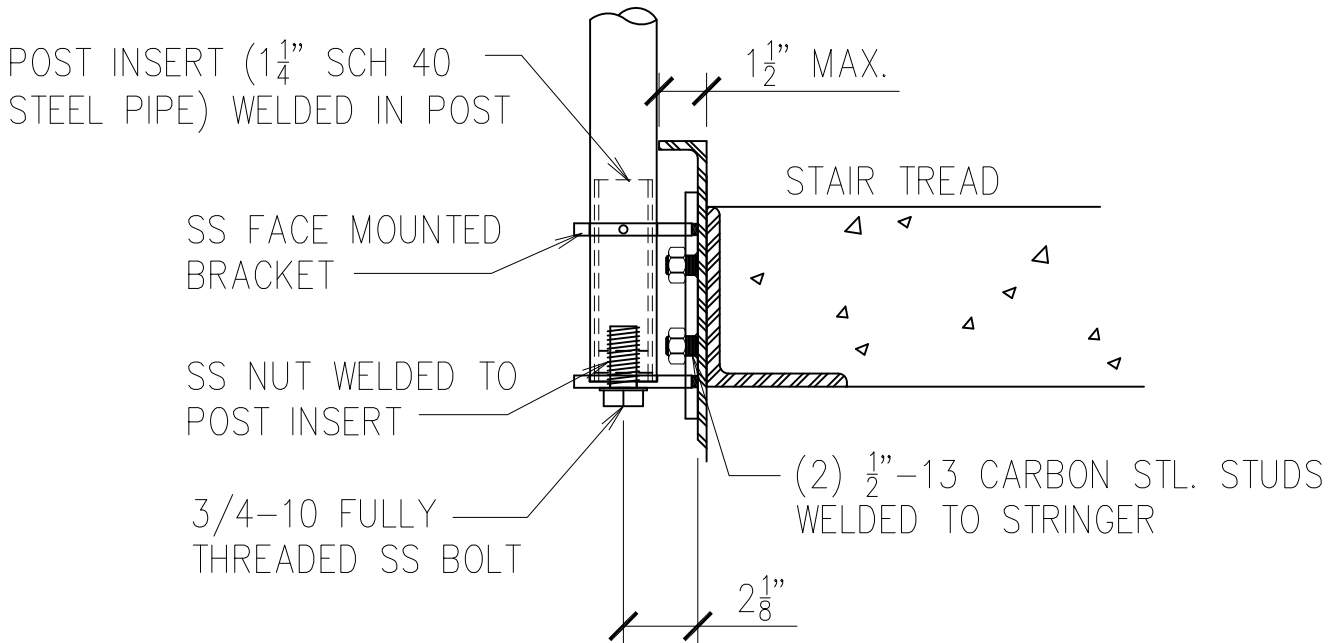
WELDED STAIR MOUNTING
(3" TUBE STRINGER)



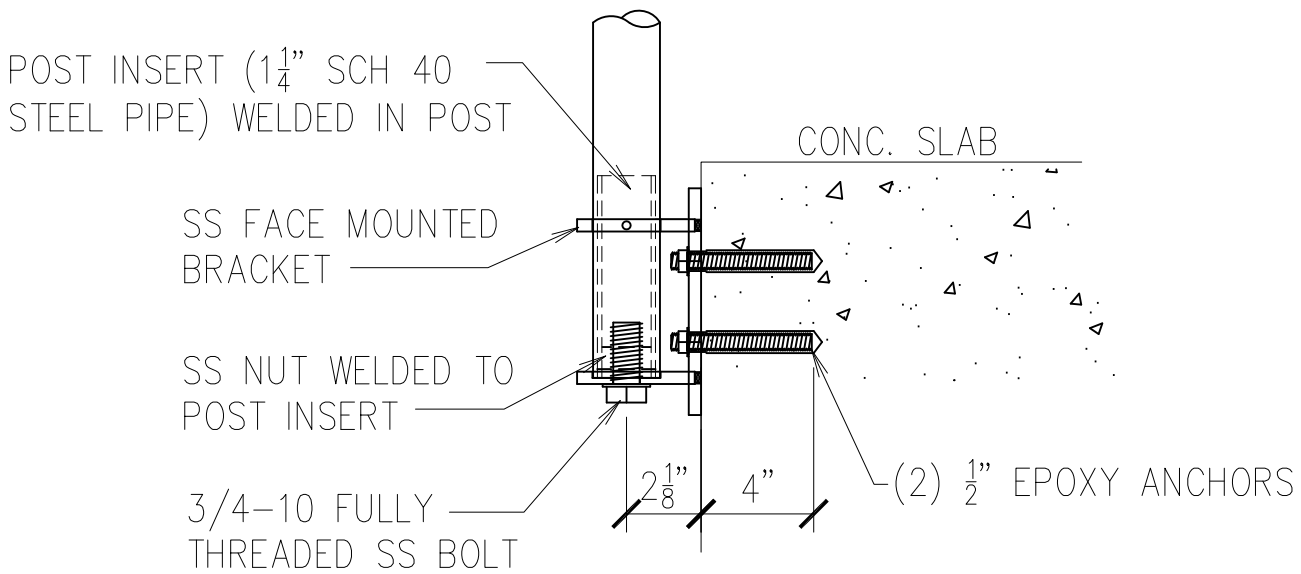
WELDED STAIR MOUNTING
(CHANNEL STRINGER)



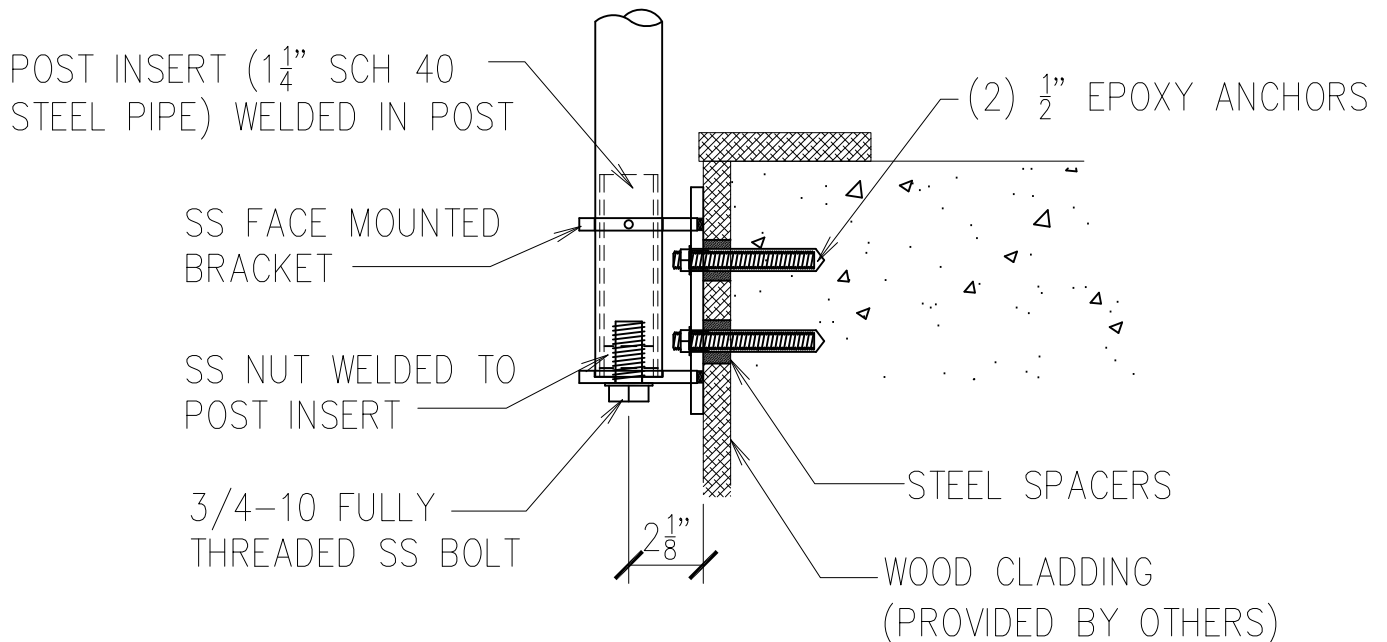
SIDE MOUNTED STAIR MOUNTING
(TUBE STRINGER)



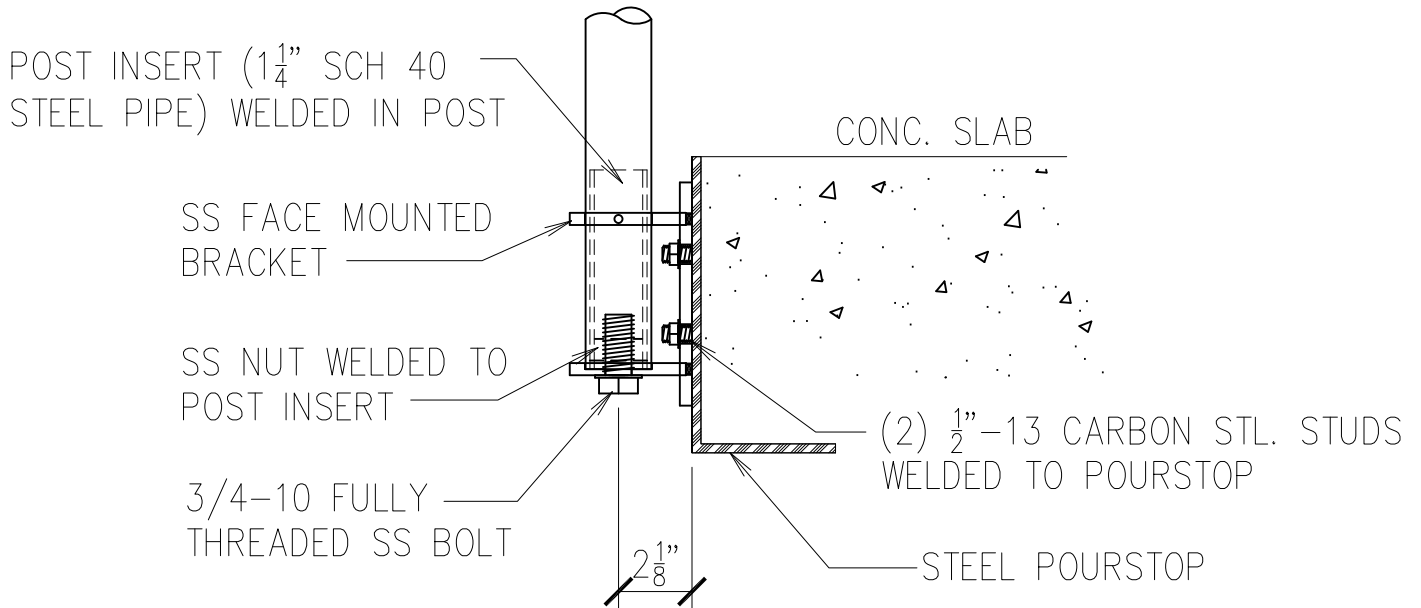
SIDE MOUNTED STAIR MOUNTING
(CHANNEL STRINGER)



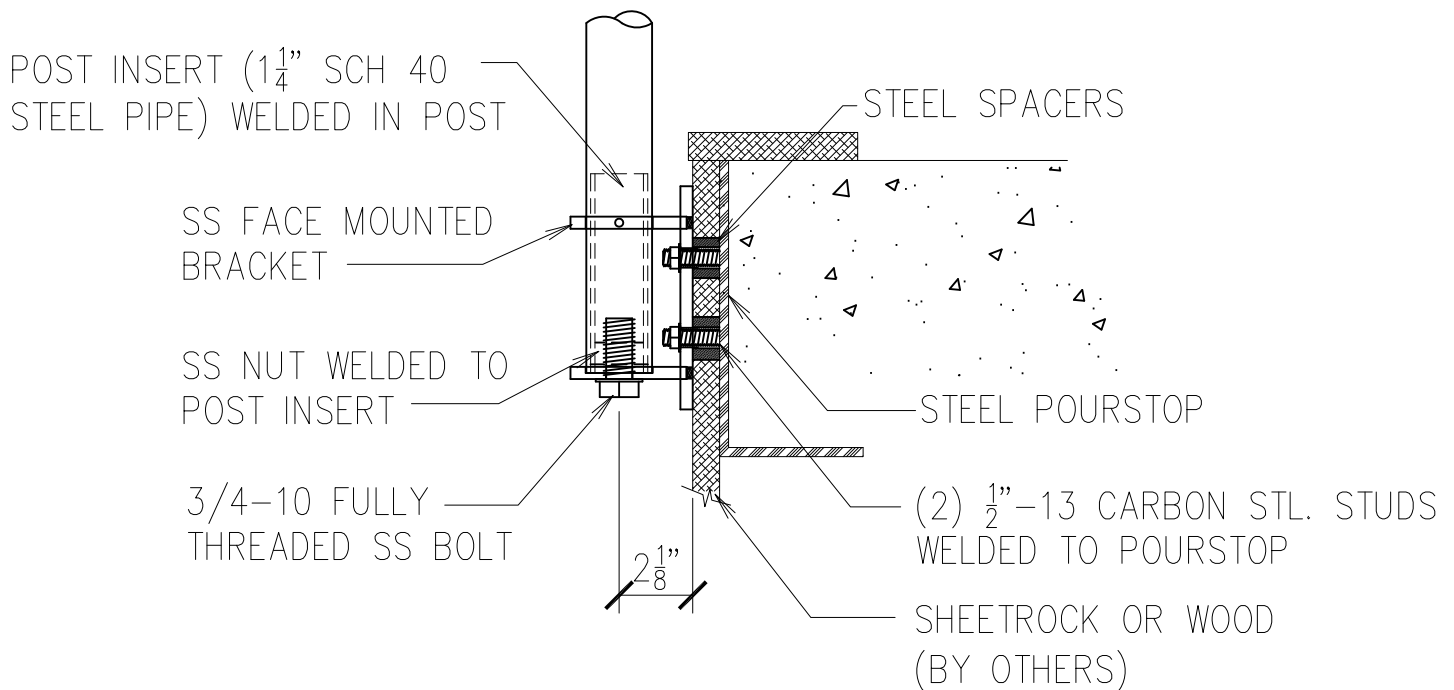
SIDE MOUNTING TO
CONCRETE SLAB



SIDE MOUNTING TO
CONCRETE SLAB OVER
WOOD FACIA OR SHEETROCK



SIDE MOUNT ATTACHED TO POURSTOP



SIDE MOUNT ATTACHED TO POURSTOP OVER WOOD FASCIA OR SHEETROCK